

Rim Type

Performance Features

- Tested and certified to significantly exceed 1,000,000 cycles – well above the requirements for Grade 1 certification.
- Thru-bolt trim design for increased security and durability.
- Wide variety of trim options to fit any job.
- Consistent styling allows for harmonization with other STANLEY Commercial Hardware products.

Certifications



- ANSI/BHMA A156.3 – Grade 1
- UL/cUL listed (3 hours) for “A” label door applications (8' x 8')
- ANSI A117.1 Section 404.2.6 Accessibility Code (ADA Compliant)
- California Administrative Code Title 24 (for Sierra and Summit lever trims)
- Hurricane Compliant – Miami-DADE N.O.A. See page 72 for more details.

Product Specifications

- Handing – All QED100 Series Exit Devices are non-handed.
- Door thickness – 1 3/4" standard (44.5mm).
- Latch bolt – Stainless steel 3/4" standard (19mm).
- Fasteners – Wood screws, machine screws and sex bolts standard.
- Head cap & end cap – Zinc die-cast.
- Trims – Sierra, Summit and Slate styles available.
Escutcheon offering – Dummy, passage, keyed, night latch.
Pull plate offering – Dummy, thumbpiece, night latch, flat plate.
- Stile width – 4 1/4" minimum (108mm).
- Dogging – Hex key dogging and cylinder dogging available.
- 36" field sizeable to 32" door.
48" field sizeable to 36" door.
- Standard backset – 2 7/8" (62mm) to face of doorstop.
- Electrification options available.

Keying

- Offered with the following keyway options: BF-SFIC "F", KW-Kwikset, WE-Weiser, SC-Schlage, GA-Yale, LA-Sargent & LC-Less Cylinder.
Consult factory for other cylinder options and for details on Mortise and Rim Cylinder requirements.

Warranty

- Lifetime Mechanical, 3-year finish, 1-year electrical



QED111



Sierra (E)

Summit (M)

Slate (A)

Pull Plate (L)

Functions

Series	Description
QED111	Rim Hex Dog
QED112	Rim Cylinder Dog
QED113	Rim Fire-Rated

Exit Trim Offerings

ANSI	Series	Description
02	QET120	Dummy Lever Escutcheon
02	QET125	Dummy Pull Plate
14	QET130	Passage Lever Escutcheon
08	QET160	Keyed Lever Escutcheon
05	QET165	Thumbpiece
02	QET167	Dummy Thumbpiece
09	QET170	Night Latch Lever Escutcheon
03	QET175	Night Latch Pull
01	QET190	Flat Plate

Finishes

BHMA	Description
605	Bright Brass
710	Anodized DuraNodic Bronze
626	Satin Chrome



Surface Vertical Rod (SVR) Type

Performance Features

- Tested and certified to significantly exceed 1,000,000 cycles – well above the requirements for Grade 1 certification.
- Thru-bolt trim design for increased security and durability.
- Wide variety of trim options to fit any job.
- Consistent styling allows for harmonization with other STANLEY Commercial Hardware products.

Certifications



- ANSI/BHMA A156.3 – Grade 1
- UL/cUL listed (3 hours) for “A” label door applications (8' x 8')
- ANSI A117.1 Section 404.2.6 Accessibility Code (ADA Compliant)
- California Administrative Code Title 24 (for Sierra and Summit lever trims)
- Hurricane Compliant – Miami-DADE N.O.A. See page 72 for more details.

Product Specifications

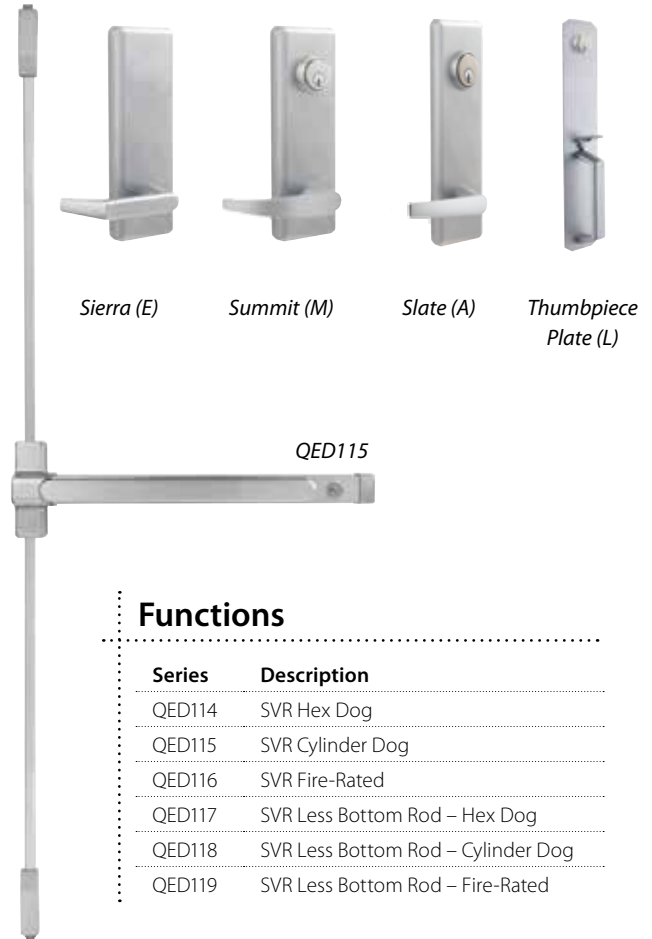
- Handing – All QED100 Series Exit Devices are non-handed.
- Door thickness – 1 3/4" standard (44.5mm).
- Door height – 7' standard with 84" rods; 8' with 96" rods.
- Latch bolt – Stainless steel 1/2" throw (12.7mm).
- Fasteners – Wood screws, machine screws and sex bolts standard.
- Head cap & end cap – Zinc die-cast.
- Trims – Sierra, Summit and Slate styles available.
Escutcheon offering – Dummy, passage, keyed, night latch.
Pull plate offering – Dummy, thumbpiece, night latch, flat plate.
- Stile width – 3 1/2" minimum (89mm). Consult installation template for appropriate device length to ensure proper fit.
- Dogging – Hex key dogging and cylinder dogging available.
- 36" field sizeable to 32" door.
48" field sizeable to 36" door.
- Standard backset – 2 7/8" (62mm) to face of doorstop.
- Electrification options available.

Keying

- Offered with the following keyway options: BF-SFIC "F", KW-Kwikset, WE-Weiser, SC-Schlage, GA-Yale, LA-Sargent & LC-Less Cylinder.
Consult factory for other cylinder options and for details on Mortise and Rim Cylinder requirements.

Warranty

- Lifetime Mechanical, 3-year finish, 1-year electrical



Functions

Series	Description
QED114	SVR Hex Dog
QED115	SVR Cylinder Dog
QED116	SVR Fire-Rated
QED117	SVR Less Bottom Rod – Hex Dog
QED118	SVR Less Bottom Rod – Cylinder Dog
QED119	SVR Less Bottom Rod – Fire-Rated

Exit Trim Offerings

ANSI	Series	Description
02	QET120	Dummy Lever Escutcheon
02	QET125	Dummy Pull Plate
14	QET130	Passage Lever Escutcheon
08	QET160	Keyed Lever Escutcheon
05	QET165	Thumbpiece
02	QET167	Dummy Thumbpiece
09	QET170	Night Latch Lever Escutcheon
03	QET175	Night Latch Pull
01	QET190	Flat Plate

Finishes

BHMA	Description
605	Bright Brass
710	Anodized Duranodic Bronze
626	Satin Chrome

Concealed Vertical Rod (CVR) Type

Performance Features

- Tested and certified to significantly exceed 1,000,000 cycles – well above the requirements for Grade 1 certification.
- Thru-bolt trim design for increased security and durability.
- Wide variety of trim options to fit any job.
- Consistent styling allows for harmonization with other STANLEY Commercial Hardware products.

Certifications



- ANSI/BHMA A156.3 – Grade 1
- UL/cUL listed (3 hours) for “A” label door applications (8' x 8')
- ANSI A117.1 Section 404.2.6 Accessibility Code (ADA Compliant)
- California Administrative Code Title 24 (for Sierra and Summit lever trims)

Product Specifications

- Handing – All QED100 Series Exit Devices are non-handed.
- Door thickness – 1 3/4" standard (44.5mm).
- Door height – 7' standard with 84" rods; 8' with 96" rods.
- Latch bolt – Stainless steel 1/2" throw (12.7mm).
- Fasteners – Wood screws, machine screws and sex bolts standard.
- Head cap & end cap – Zinc die-cast.
- Trims – Sierra, Summit and Slate styles available.
Escutcheon offering – Dummy, passage, keyed, night latch.
Pull plate offering – Dummy, thumbpiece, night latch, flat plate.
- Stile width – 3 1/2" minimum (89mm). Consult installation template for appropriate device length to ensure proper fit.
- Dogging – Hex key dogging and cylinder dogging available.
- 36" field sizeable to 32" door.
48" field sizeable to 36" door.
- Standard backset – 2 7/8" (62mm) to face of doorstop.
- Electrification options available.

Keying

- Offered with the following keyway options: BF-SFIC "F", KW-Kwikset, WE-Weiser, SC-Schlage, GA-Yale, LA-Sargent & LC-Less Cylinder.
Consult factory for other cylinder options and for details on Mortise and Rim Cylinder requirements.

Warranty

- Lifetime Mechanical, 3-year finish, 1-year electrical



Sierra (E)

Summit (M)

Slate (A)

Thumbpiece Plate (L)



QED124

Functions

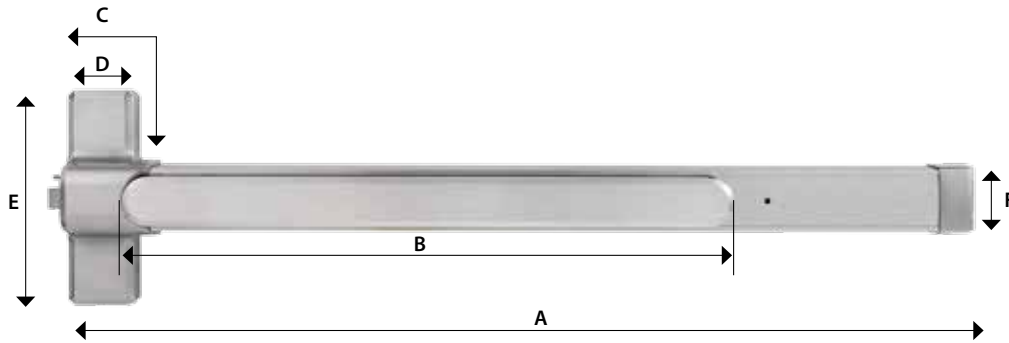
Series	Description
QED124	CVR Hex Dog
QED125	CVR Cylinder Dog
QED126	CVR Fire-Rated
QED127	CVR Less Bottom Rod – Hex Dog
QED128	CVR Less Bottom Rod – Cylinder Dog
QED129	CVR Less Bottom Rod – Fire-Rated

Exit Trim Offerings

ANSI	Series	Description
02	QET120	Dummy Lever Escutcheon
02	QET125	Dummy Pull Plate
14	QET130	Passage Lever Escutcheon
08	QET160	Keyed Lever Escutcheon
05	QET165	Thumbpiece
02	QET167	Dummy Thumbpiece
09	QET170	Night Latch Lever Escutcheon
03	QET175	Night Latch Pull
01	QET190	Flat Plate

Finishes

BHMA	Description
605	Bright Brass
710	Anodized DuraNodic Bronze
626	Satin Chrome



QED100 Series	36" Device			48" Device			All QED100 Devices			
	Minimum Door Width	Device Length	Pushpad Length	Minimum Door Width	Device Length	Pushpad Length	Head Cap Length	Head Cap Length	Head Cap Width	End Cap Length
Measurement		A	B		A	B	C	D	E	F
Panic-Rated (with Dogging)	30"	33"	20.5"	36"	45"	24.5"	3.625"	2.75"	9"	2.5"
	762mm	838.20mm	520.70mm	914.40mm	1143mm	622.30mm	92.10mm	69.90mm	228.60mm	63.50mm
Fire-Rated or Panic (with Dogging Removed)	29"	33"	20.5"	33"	45"	24.5"	3.625"	2.75"	9"	2.5"
	736.60mm	838.20mm	520.70mm	838.20mm	1143mm	622.30mm	92.10mm	69.90mm	228.60mm	63.50mm

Model/Series	Functions	Style	Case Qty
QED111	Rim Hex Dog	—	1
QED112	Rim Cylinder Dog	—	1
QED113	Rim Fire-Rated	—	1
QED114	SVR Hex Dog	7FT	1
QED115	SVR Cylinder Dog	7FT	1
QED116	SVR Fire-Rated	7FT	1
QED117	SVR Less Bottom Rod (LBR) Hex Dog	7FT	1
QED118	SVR LBR Cylinder Dog	7FT	1
QED119	SVR LBR Fire-Rated	7FT	1
QED124	CVR Hex Dog	7FT	1
QED125	CVR Cylinder Dog	7FT	1
QED126	CVR Fire-Rated	7FT	1
QED127	CVR LBR Hex Dog	7FT	1
QED128	CVR LBR Cylinder Dog	7FT	1
QED129	CVR LBR Fire-Rated	7FT	1

NOTES:
All Less Bottom Rod (LBR) fire-rated devices include a bottom fire latch.

Other Options

8FT	Vertical rod kit for 8FT door application
48"	48" Device (Consult factory for lead-time)
HC	Hurricane Compliant

ELECTRIFIED OPTIONS (CONSULT FACTORY FOR LEAD TIMES)



Model #	Description
QED__LR	Electrified Latch Retraction (LR) allows for the remote unlatching of exit devices. Continuous duty solenoids retract latches momentarily or for extended periods of time. <u>Requires</u> the use of Stanley Commercial Hardware power supply 8Q00312 or 8Q00313.
QED__ED	Electrified Dogging (ED) allows continuous latch retraction and dogging simultaneously. ED requires first-time mechanical activation after which the push bar will continuously hold the push bar and latch retracted. When power is removed or interrupted from the device, the latch bolt will extend and push bar will release. Uses power supply 8Q00314 (see p. 20).
QED__X	Request to Exit (X) is an SPDT (Single Pole Double Throw) switch which monitors the push bar of the exit device. The X switch can be used to activate a door alarm, control a magnetic locking device, shunt a door alarm or signal a control console when the push bar is depressed.
QED__LRX	Electrified Latch Retraction (LR) device with a Request to Exit (X) switch. <u>Requires</u> the use of Stanley Commercial Hardware power supply 8Q00312 or 8Q00313.
QED__EDX	Electrified Dogging (ED) device with a Request to Exit (X) switch. Uses power supply 8Q00314 (see p. 20).

POWER SUPPLY OPTIONS (CONSULT FACTORY FOR LEAD TIMES)

Model #	Description
8Q00312	Power supply for Electronic Latch Retraction Devices (LR/LRX).
8Q00313	Power supply with day/night mode for Electronic Latch Retraction Devices (LR/LRX).

Electrified Product Specifications

- Consult factory for lead times.
- Electrification prices should be added to price of device.
- Continuous duty solenoids.
- Ties into alarm systems and electromagnetic locks.
- 24V AC/DC with .150 AMP current.
- Lifetime warranty on exit device; 1-year warranty on electronic components.
- LR or LRX require power supply 8Q00312 or 8Q00313.
- Minimum door width 36"
- LR and ED require the removal of mechanical dogging mechanism.
- Options can be used in any Hex Dog or Fire-Rated QED100 Series Device (How to order example: QED111LR 36" 626).

Power Supply Specifications (10" x 10" x 4.25")

- 8Q00312:**
 - Provides power for up to two LR or LRX devices.
 - Supplied with wiring diagram in detailed instructions.
 - Automatic door operator interface.
 - Independent control of single exit devices (one or two single-doors) or sequential operation of two devices (pair of doors).
 - Field adjustable latch retraction time delay.
 - 24V DC or 12V DC auxiliary power, unfiltered and unregulated.
- 8Q00313:**
 - Same as 8Q00312 with the addition of a day/night mode.
 - Provides separate input for retracting one exit device or two exit devices sequentially without activating the auto door operator. While the latches are held retracted, auto operator can be activated independently from a different output.



11	Rim Hex Dog	24	CVR Hex Dog
12	Rim Cylinder Dog	25	CVR Cylinder Dog
13	Rim Fire-Rated	26	CVR Fire-Rated
14	SVR Hex Dog	27	CVR LBR – Hex Dog
15	SVR Cylinder Dog	28	CVR LBR – Cylinder Dog
16	SVR Fire-Rated	29	CVR LBR – Fire-Rated
17	SVR LBR – Hex Dog		
18	SVR LBR – Cylinder Dog		
19	SVR LBR – Fire-Rated		

605	Bright Brass
313AN	Anodized Duranodic Bronze
626	Satin Chrome

KD	Keyed Different
KA	Keyed Alike
CK	Construction Keyed
CMK	Construction Master Keyed
MAIS	Maison Keyed
MK	Master Keyed
GMK	Grand Master Keyed
GGMK	Great Grand Master Keyed
ZB	Zero Bitted

Base Part Number								
Series	Function	Options	Size	Height	Finish	Keyway	Keying	Notes
QED1	15	LR	36"	7FT	313AN	KW	KD	XXXX

QED1xx	Grade 1 Architectural Exit Device
--------	-----------------------------------

36"	36" Device
48"	48" Device

KW	Kwikset "KW"
WE	Weiser "E"
SC	Schlage "C"
GA	Yale "GA"
LA	Sargent "LA"
BF	SFIC "F"
LC	Less Cylinder

LR	Electrified Latch Retraction
LRX	Electrified Latch Retraction with Request to Exit
ED	Electrified Dogging
EDX	Electrified Dogging with Request to Exit
X	Request to Exit
HC	Hurricane Compliant

7FT	7 ft Rod
8FT	8 ft Rod

Example

If you ordered: QED115 LR 36" 7FT 313AN KW KD

You would get: Grade 1 Heavy-Duty Architectural Surface Vertical Rod Exit Device with Cylinder Dogging for a 7' Door, in Anodized Duranodic Bronze, Kwikset Keyway, Keyed Different.

Performance Features

- 2" x 3" steel mullion tube. 1/8" wall thickness.
- Hurricane – 2" x 3" steel mullion tube. 5/16" wall thickness.
- Head cap, bottom sill & hurricane mullion adapters – investment cast steel.
- Size – Standard for openings 8' high, field sizable for openings less than 8', 9', 10', 11' & 12' also available and are field sizable.
- Mullion is pre-prepped for QED100 Series Exit Devices.
- **Fire and Hurricane Rating 8' high max.**
- Available finishes – Primer (600), Aluminum (689) and Dark Bronze (695).

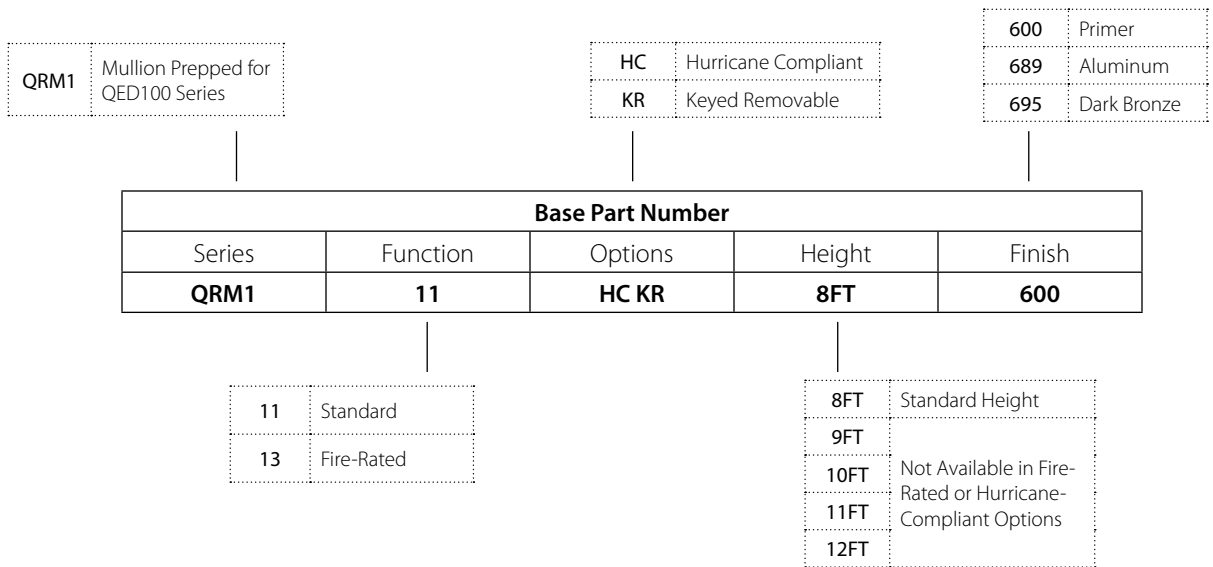


KEYED REMOVABLE MULLIONS (CONSULT FACTORY FOR MULLION LEAD TIMES)

Order	Description
Cylinder not included. Keyed removable mullions utilize standard rim cylinders. Reference cylinders, keys & keying section for more details.	
QRM111 KR	Keyed Removable Mullion. Includes: Mullion tube, cap, base, fasteners & strike.
QRM111 HC KR	Hurricane Compliant, Keyed Removable Mullion. Includes: Mullion tube, cap, base, fasteners & strike interlock.
QRM113 KR	Fire-Rated, Keyed Removable Mullion. Includes: Mullion tube, cap, base, fasteners & strike interlock.
QRM113 HC KR	Fire-Rated, Hurricane Compliant, Keyed Removable Mullion. Includes: Mullion tube, cap, base, fasteners & strike interlock.

REMOVABLE MULLIONS (CONSULT FACTORY FOR MULLION LEAD TIMES)

Order	Description
QRM111	Removable Mullion. Includes: Mullion tube, cap, base, fasteners & strike.
QRM111 HC	Hurricane Compliant, Removable Mullion. Includes: Mullion tube, cap, base, fasteners & strike interlock.
QRM113	Fire-Rated, Removable Mullion. Includes: Mullion tube, cap, base, fasteners & strike interlock.
QRM113 HC	Fire-Rated, Hurricane Compliant, Removable Mullion. Includes: Mullion tube, cap, base, fasteners & strike interlock.



EXIT DEVICES

Example

If you ordered: QRM111 HC KR 8FT 600

You would get: Keyed Removable, Hurricane Compliant Mullion, 8' Height, with Primer finish. Prepped for QED100 Series strike.

EXIT DEVICES

QET 100 Series Grade 1 Heavy-Duty Exit Trims

Escutcheon Trims Sierra (E)

Available in: 605, 613*, 626



Escutcheon Trims Summit (M)

Available in: 605, 613*, 626



Escutcheon Trims Slate (A)

Available in: 605, 613*, 626



Model/Series	Functions	Style	Cylinder Type	Qty
QET120	Dummy Lever Escutcheon	E/M/A	—	6
QET130	Passage Lever Escutcheon	E/M/A	—	6
QET160	Keyed Lever Escutcheon (Classroom)	E/M/A	Mortise	6
QET170	Night Latch Lever Escutcheon (Storeroom)	E/M/A	Rim	6

NOTES:

Cylinders ordered separately.

*613 Finish trims match 313 finish exit devices.

Escutcheon Trims Pull & Flat Plates

Available in: 605, 626, 690



Dummy Pull
QET125



Thumbpiece
QET165



Dummy Thumbpiece
QET167



Night Latch Pull
QET175

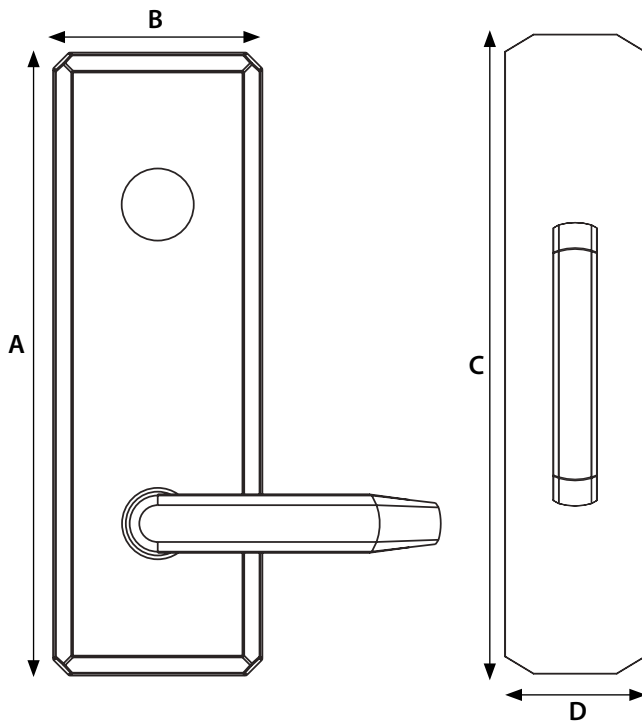


Flat Plate
QET190

Model/Series	Functions	Style	Cylinder Type	Qty
QET125	Dummy Pull Escutcheon	L	—	6
QET165	Thumbpiece Pull Escutcheon	L	Mortise	6
QET167	Dummy Thumbpiece Pull Escutcheon	L	—	6
QET175	Night Latch Pull Escutcheon	L	Rim	6
QET190	Flat Plate Escutcheon	L	—	6

NOTES:

Cylinders ordered separately.



DIMENSIONS			
A	B	C	D
9.78"	3.28"	14"	3"
248.60mm	83.31mm	355.60mm	76.20mm

Functions	Description	
QET120	Dummy Lever Escutcheon	Used for door pull when device is dogged or as matching inactive trim. No mechanical operation.
QET125	Dummy Pull Escutcheon	Used for door pull when device is dogged or as matching inactive trim. No mechanical operation.
QET130	Passage Lever Escutcheon	Levers always unlocked and always free for immediate ingress.
QET160	Keyed Lever Escutcheon	Key locks & unlocks lever (operates same as classroom function).
QET165	Thumbpiece Pull Escutcheon	Key locks & unlocks thumbpiece (operates same as classroom function).
QET167	Dummy Thumbpiece Pull Escutcheon	Used for door pull when device is dogged or as matching inactive trim. No mechanical operation. Matches QET165.
QET170	Night Latch Lever Escutcheon	Lever always locked, key retracts latch for entrance (operates same as storeroom function).
QET175	Night Latch Pull Escutcheon	Outside always locked, key retracts latch for entrance (operates same as storeroom function).
QET190	Flat Plate Escutcheon	Blank trim plate—used to cover existing door prep for an exit-only application.

20	DL – Dummy Trim Lever
25	DP – Dummy Trim Pull
30	PL – Passage Lever
60	KL – Keyed Lever
65	TP – Thumbpiece Escutcheon
67	DT – Dummy Thumbpiece Escutcheon
70	NL – Night Latch Lever Escutcheon
75	NL – Night Latch Pull Escutcheon
90	Flat Plate

605	Bright Brass
613†	Oil Rubbed Bronze
626	Satin Chrome
690†	Painted Duranodic Bronze

KD	Keyed Different
KA	Keyed Alike
CK	Construction Keyed
CMK	Construction Master Keyed
MAIS	Maison Keyed
MK	Master Keyed
GMK	Grand Master Keyed
GGMK	Great Grand Master Keyed
ZB	Zero Bitted

Base Part Number						
Series	Function	Design	Finish	Keyway	Keying	Notes
QET1	60	M	626	KW	KD	XXXX

QET1xx	Grade 1 Architectural Exit Trim
--------	---------------------------------

E	Sierra
M	Summit
A	Slate

KW	Kwikset "KW"*
WE	Weiser "E"*
SC	Schlage "C"*
GA	Yale "GA"
LA	Sargent "LA"
BF	Best "F" (SFIC)
LC	Less Cylinder

Example

If you ordered: QET160 M 626 KW KD

You would get: Grade 1 Escutcheon Trim Lever, Summit design, Satin Chrome, Kwikset Keyway, Keyed Different. This trim matches to the QED100 Series Exit Devices.

NOTES:

†613 finish available for lever escutcheon trims; 690 finish available for escutcheon pull trims.

*Available in 6-pin and 5-pin. 6-pin is standard.



Rim Type

Performance Features

- Consistent styling allows for harmonization with other STANLEY Commercial Hardware products.
- Thru-bolt trim design for increased security and durability.
- Wide variety of trim options to fit any job.

Certifications



- ANSI/BHMA A156.3 – Grade 1
- UL/cUL listed (3 hours) for "A" label doors (8' x 8') when used with HMS strike
- ANSI A117.1 Section 404.2.6 Accessibility Code (ADA Compliant)
- California Administrative Code Title 24 (for lever trims)

Product Specifications

- Handing – All QED200 Series Exit Devices are non-handed.
- Door thickness – 1 3/4" standard (44.5mm).
- Latch bolt – Stainless steel 3/4" standard (19mm).
- Fasteners – Wood screws, machine screws and sex bolts standard.
- Head cover & end cap – Zinc die-cast.
- Trims – Sierra, Summit and Slate styles available.
Escutcheon offering – Dummy, passage, keyed, night latch.
Pull plate offering – Dummy, night latch, flat plate.
- Stile width – 2" minimum (50.8 mm) for ALS strike; 3 1/2" minimum (88.9 mm) for HMS strike option.
- Dogging – Hex key dogging and cylinder dogging available.
- 36" field sizeable to 26" door.
48" field sizeable to 36" door.

Keying

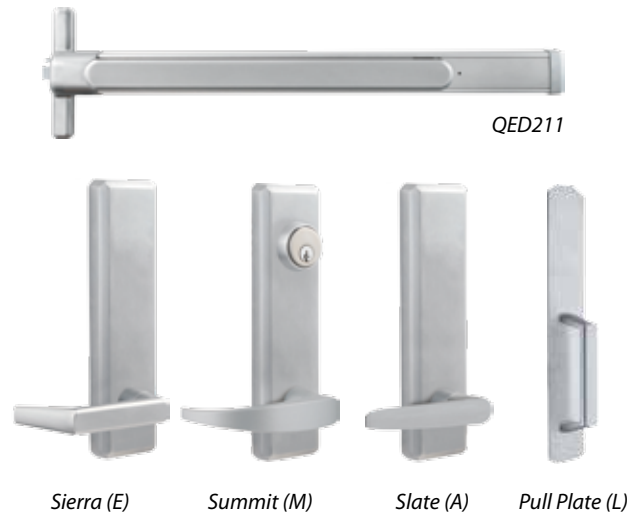
- Offered with the following keyway options: BEST 'F' SFIC, KW-Kwikset, WE-Weiser, SC-Schlage, GA-Yale, LA-Sargent and LC-Less Cylinder.
Consult factory for details on Mortise and Rim Cylinder requirements.

Warranty

- Lifetime Mechanical and 3-year finish

NOTE:

*QED213 available with HMS strike only.



Functions

Series	Description
QED211	Rim Hex Dog
QED212	Rim Cylinder Dog
QED213	Rim Fire-Rated*

Exit Trim Offerings

ANSI	Series	Description
02	QET220	Dummy Lever Escutcheon
02	QET225	Dummy Pull Plate
14	QET230	Passage Lever Escutcheon
08	QET260	Keyed Lever Escutcheon
03	QET270	Night Latch Lever Escutcheon
03	QET275	Night Latch Pull
09	QET280	Night Latch Lever Escutcheon
01	QET290	Flat Plate

Finishes

BHMA	Description
605	Bright Brass
313AN	Anodized Duranodic Bronze
626	Satin Chrome

Surface Vertical Rod (SVR) Type

Performance Features

- Consistent styling allows for harmonization with other STANLEY Commercial Hardware products.
- Thru-bolt trim design for increased security and durability.
- Wide variety of trim options to fit any job.

Certifications



- ANSI/BHMA A156.3 – Grade 1
- UL/cUL listed (3 hours) for “A” label for 8' x 8' opening
- ANSI A117.1 Section 404.2.6 Accessibility Code (ADA Compliant)
- California Administrative Code Title 24 (for lever trims)

Product Specifications

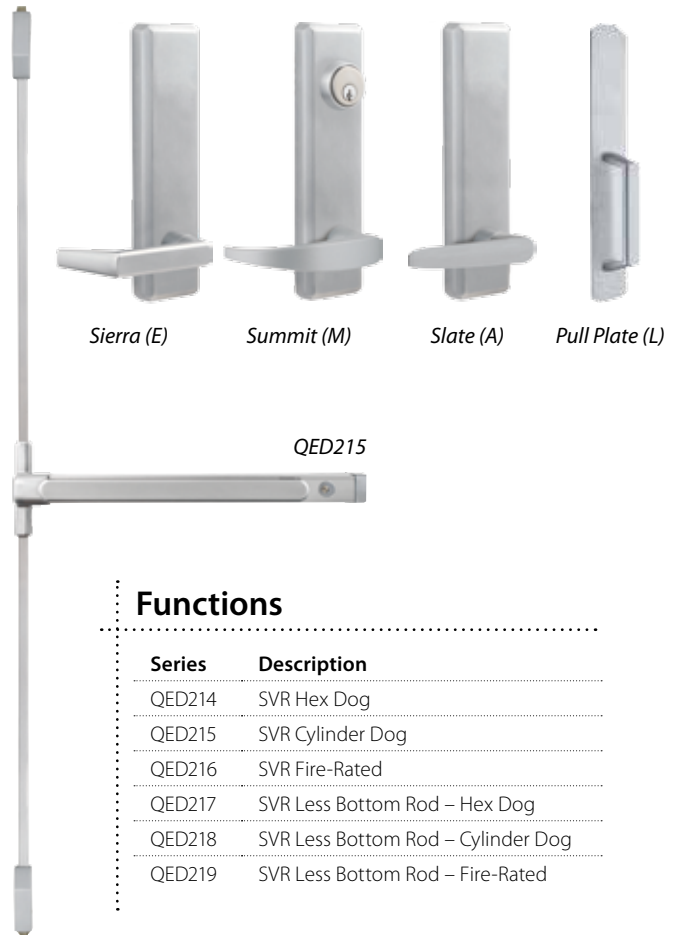
- Handing – All QED200 Series Exit Devices are non-handed.
- Door thickness – 1 3/4" standard (44.5mm).
- Door height – 7" standard with 84" rods; 8' with 96" rods.
- Latch bolt – Stainless steel 1/2" throw (12.7mm).
- Fasteners – Wood screws, machine screws and sex bolts standard.
- Head cover & end cap – Zinc die-cast.
- Trims – Sierra, Summit and Slate styles available.
Escutcheon offering – Dummy, passage, keyed, night latch.
Pull plate offering – Dummy, night latch, flat plate.
- Stile width – 2" minimum (50.8 mm).
- Dogging – Hex key dogging and cylinder dogging available.
- 36" field sizeable to 26" door.
48" field sizeable to 36" door.
- QED219 includes bottom fire bolt.

Keying

- Offered with the following keyway options: BEST 'F' SFIC, KW-Kwikset, WE-Weiser, SC-Schlage, GA-Yale, LA-Sargent and LC-Less Cylinder.
Consult factory for other cylinder options and for details on Mortise and Rim Cylinder requirements.

Warranty

- Lifetime Mechanical and 3-year finish



Functions

Series	Description
QED214	SVR Hex Dog
QED215	SVR Cylinder Dog
QED216	SVR Fire-Rated
QED217	SVR Less Bottom Rod – Hex Dog
QED218	SVR Less Bottom Rod – Cylinder Dog
QED219	SVR Less Bottom Rod – Fire-Rated

Exit Trim Offerings

ANSI	Series	Description
02	QET220	Dummy Lever Escutcheon
02	QET225	Dummy Pull Plate
14	QET230	Passage Lever Escutcheon
08	QET260	Keyed Lever Escutcheon
09	QET280	Night Latch Escutcheon
01	QET290	Flat Plate

Finishes

BHMA	Description
605	Bright Brass
313AN	Anodized Duranodic Bronze
626	Satin Chrome



Concealed Vertical Rod (CVR) Type

Performance Features

- Consistent styling allows for harmonization with other STANLEY Commercial Hardware products.
- Thru-bolt trim design for increased security and durability.
- Wide variety of trim options to fit any job.

Certifications



- ANSI/BHMA A156.3 – Grade 1
- UL/cUL listed (3 hours) for “A” label for 8’ x 8’ opening
- ANSI A117.1 Section 404.2.6 Accessibility Code (ADA Compliant)
- California Administrative Code Title 24 (for lever trims)

Product Specifications

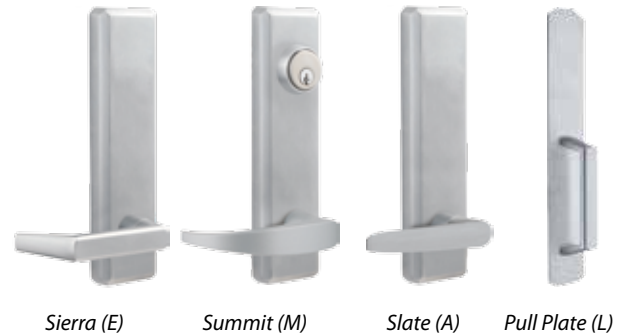
- Handing – All QED200 Series Exit Devices are non-handed.
- Door thickness – 1 3/4" standard (44.5mm).
- Door height – 7' standard with 84" rods; 8' with 96" rods.
- Latch bolt – Stainless steel 1/2" throw (12.7mm).
- Fasteners – Wood screws, machine screws and sex bolts standard.
- Head cover & end cap – Zinc die-cast.
- Trims – Sierra, Summit and Slate styles available.
Escutcheon offering – Dummy, passage, keyed, night latch.
Pull plate offering – Dummy, night latch, flat plate.
- Stile width – 3 1/2" minimum (50.8 mm).
- Dogging – Hex key dogging and cylinder dogging available.
- 36" field sizeable to 26" door.
48" field sizeable to 36" door.
- QED229 includes bottom fire bolt.

Keying

- Offered with the following keyway options: BEST 'F' SFIC, KW-Kwikset, WE-Weiser, SC-Schlage, GA-Yale, LA-Sargent and LC-Less Cylinder.
Consult factory for details on Mortise and Rim Cylinder requirements.

Warranty

- Lifetime Mechanical and 3-year finish



Sierra (E)

Summit (M)

Slate (A)

Pull Plate (L)



QED224

Functions

Series	Description
QED224	CVR Hex Dog
QED225	CVR Cylinder Dog
QED226	CVR Fire-Rated
QED227	CVR Less Bottom Rod – Hex Dog
QED228	CVR Less Bottom Rod – Cylinder Dog
QED229	CVR Less Bottom Rod – Fire-Rated

Exit Trim Offerings

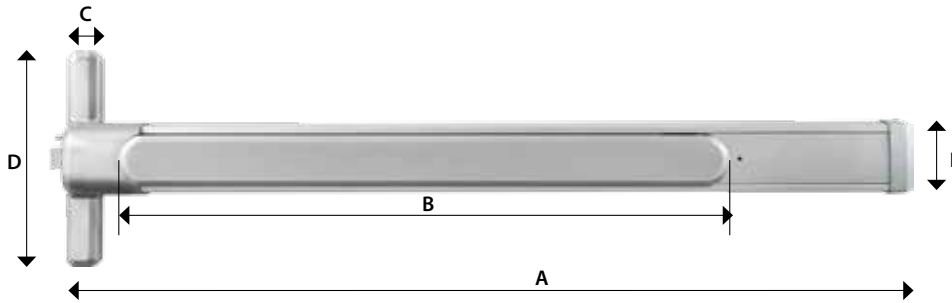
ANSI	Series	Description
02	QET220	Dummy Lever Escutcheon
02	QET226	Dummy Pull Plate
14	QET230	Passage Lever Escutcheon
08	QET260	Keyed Lever Escutcheon
09	QET280	Night Latch Escutcheon
01	QET291	Flat Plate

Finishes

BHMA	Description
605	Bright Brass
313AN	Anodized Duranodic Bronze
626	Satin Chrome

EXIT DEVICES

QED 200 Series Grade 1 Heavy-Duty Narrow Stile Exit Devices



QED200 Series	36" Device			48" Device			Head Cover Length	Head Cover Width	End Cap Width
	Minimum Door Width	Device Length	Pushpad Length	Minimum Door Width	Device Length	Pushpad Length			
Measurement		A	B		A	B	C	D	E
Panic-Rated (with Dogging)	30"	34 11/16"	20"	36"	46 3/4"	24 1/2"	1.5"	8 5/16"	2.5"
	762 mm	881 mm	508 mm	914.4 mm	1187.5 mm	622.3 mm	38.1 mm	211.1 mm	63.5 mm
Fire-Rated or Panic (with Dogging Removed)	26"	34 11/16"	20"	33"	46 3/4"	24 1/2"	1.5"	8 5/16"	2.5"
	660.4 mm	881 mm	508 mm	838.2 mm	1187.5 mm	622.3 mm	38.1 mm	211.1 mm	63.5 mm

Model/Series	Functions	Style	Case Qty
QED211	Rim Hex Dog	—	1
QED212	Rim Cylinder Dog	—	1
QED213	Rim Fire-Rated*	—	1
QED214	SVR Hex Dog	7FT	1
QED215	SVR Cylinder Dog	7FT	1
QED216	SVR Fire-Rated	7FT	1
QED217	SVR Less Bottom Rod (LBR) Hex Dog	7FT	1
QED218	SVR LBR Cylinder Dog	7FT	1
QED219	SVR LBR Fire-Rated	7FT	1
QED224	CVR Hex Dog	7FT	1
QED225	CVR Cylinder Dog	7FT	1
QED226	CVR Fire-Rated	7FT	1
QED227	CVR LBR Hex Dog	7FT	1
QED228	CVR LBR Cylinder Dog	7FT	1
QED229	CVR LBR Fire-Rated	7FT	1

NOTES:
All Less Bottom Rod (LBR) fire-rated devices include a bottom fire bolt.

*QED213 available with HMS strike only.

Other Options

8FT	Vertical rod kit for 8FT door application
48"	48" Device (Consult factory for lead-time)



11	Rim Hex Dog	24	CVR Hex Dog
12	Rim Cylinder Dog	25	CVR Cylinder Dog
13	Rim Fire-Rated*	26	CVR Fire-Rated
14	SVR Hex Dog	27	CVR LBR – Hex Dog
15	SVR Cylinder Dog	28	CVR LBR – Cylinder Dog
16	SVR Fire-Rated	29	CVR LBR – Fire-Rated
17	SVR LBR – Hex Dog		
18	SVR LBR – Cylinder Dog		
19	SVR LBR – Fire-Rated		

605	Bright Brass
313AN	Anodized Duranodic Bronze
626	Satin Chrome

KD	Keyed Different
KA	Keyed Alike
SK	Special Keying
	-Construction Keyed
	-Construction Master Keyed
	-Maison Keyed
	-Master Keyed
	-Grand Master Keyed
	-Great Grand Master Keyed
ZB	Zero Bitted

Base Part Number								
Series	Function	Size	Height	Finish	Keyway	Keying	Strike**	Notes
QED2	15	36"	7FT	313AN	BF	KD	ALS	XXXX

QED2xx Narrow Stile Exit Device

36"	36" Device
48"	48" Device

7FT	7 ft Rod
8FT	8 ft Rod

BF	BEST "F" SFIC
KW	Kwikset "KW"
WE	Weiser "E"
SC	Schlage "C"
GA	Yale "GA"
LA	Sargent "LA"
LC	Less Cylinder

ALS	Aluminum Door Strike
HMS	Hollow Metal Door Strike

EXIT DEVICES

Example

If you ordered: QED215 36" 7FT 626 BF KD

You would get: Grade 1 Heavy-Duty Narrow Stile Surface Vertical Rod Exit Device with Cylinder Dogging for a 7' Door, in Brushed Chrome Finish, SFIC "F" Keyway, Keyed Different.

NOTE:

*QED213 available with HMS strike only.

**Only for Rim devices.

EXIT DEVICES

QET
200 Series Grade 1
Heavy-Duty Narrow Stile Exit Trims

Escutcheon Trims Sierra (E)

Available in: 605, 613, 626



Escutcheon Trims Summit (M)

Available in: 605, 613, 626



Escutcheon Trims Slate (A)

Available in: 605, 613, 626



Model/Series	Functions	Style	Cylinder Type	Qty
QET220	Dummy Lever Escutcheon (ANSI 02)	E/M/A	—	6
QET230	Passage Lever Escutcheon (ANSI 14)	E/M/A	—	6
QET260	Keyed Lever Escutcheon (Classroom, ANSI 08)	E/M/A	Mortise	6
QET270*	Night Latch Lever Escutcheon (Storeroom, ANSI 03)	E/M/A	Rim	6
QET280	Night Latch Lever Escutcheon (Storeroom, ANSI 09)	E/M/A	Mortise	6

NOTES:

613 Finish trims match 313AN finish exit devices.

* Not recommended for use on exit devices with vertical rods.

Escutcheon Trims Pull & Flat Plates

Available in: 605, 613, 626



Dummy Pull
QET225 / QET226



Night Latch Pull
QET275

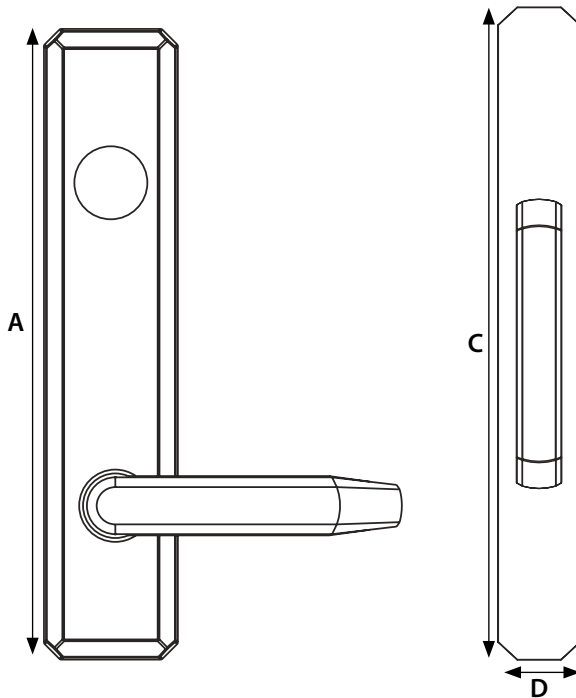


Flat Plate
QET290 / QET291

Model/Series	Functions	Style	Cylinder Type	Qty
QET225	Dummy Pull Escutcheon (ANSI 02) for Rim and SVR	L	—	6
QET226	Dummy Pull Escutcheon (ANSI 02) for CVR	L	—	6
QET275*	Night Latch Pull Escutcheon (ANSI 03)	L	Rim	6
QET290	Flat Plate Escutcheon (ANSI 01) for Rim and SVR	L	—	6
QET291	Flat Plate Escutcheon (ANSI 01) for CVR	L	—	6

NOTES:

* Not recommended for use on exit devices with vertical rods.



DIMENSIONS			
A	B	C	D
7.83"	1.69"	13.88"	1.76"
198.88mm	42.93mm	352.55mm	44.70mm

Functions	Description	
QET220	Dummy Lever Escutcheon	Used for door pull when device is dogged or as matching inactive trim. No mechanical operation. (ANSI 02)
QET225 / QET226	Dummy Pull Escutcheon	Used for door pull when device is dogged or as matching inactive trim. No mechanical operation. (ANSI 02)
QET230	Passage Lever Escutcheon	Levers always unlocked and always free for immediate ingress. (ANSI 14)
QET260	Keyed Lever Escutcheon	Key locks & unlocks lever (operates same as classroom function). (ANSI 08)
QET270*	Night Latch Lever Escutcheon	Lever always locked, key retracts latch for entrance (operates same as storeroom function). (ANSI 03)
QET275*	Night Latch Pull Escutcheon	Outside always locked, key retracts latch for entrance (operates same as storeroom function). (ANSI 03)
QET280	Night Latch Lever Escutcheon	Key locks & unlocks lever. Device is locked when key is removed. (ANSI 09)
QET290 / QET291	Flat Plate Escutcheon	Blank trim plate—used to cover existing door prep for an exit-only application. (ANSI 01)

NOTES:

* Not recommended for use on exit devices with vertical rods.

20	DL – Dummy Trim Lever (ANSI 02)					KD	Keyed Different
25	DP – Dummy Trim Pull (ANSI 02) Rim/SVR					KA	Keyed Alike
26	DP – Dummy Trim Pull (ANSI 02) CVR					SK	Special Keying
30	PL – Passage Lever (ANSI 14)						-Construction Keyed
60	KL – Keyed Lever (ANSI 08)						-Construction Master Keyed
70	NL – Night Latch Lever Escutcheon (ANSI 03)						-Maison Keyed
75	NL – Night Latch Pull Escutcheon (ANSI 03)						-Master Keyed
80	NL – Night Latch Lever Escutcheon (ANSI 09)	605	Bright Brass				-Grand Master Keyed
90	Flat Plate (ANSI 01) Rim/SVR	613	Oil Rubbed Bronze				-Great Grand Master Keyed
91	Flat Plate (ANSI 01) CVR	626	Satin Chrome			ZB	Zero Bitted

Base Part Number						
Series	Function	Design	Finish	Keyway*	Keying**	Notes
QET2	60	M	626	BF	KD	XXXX

QET2xx Narrow Stile Exit Trim

L	Pull
E	Sierra
M	Summit
A	Slate

BF	BEST "F" SFIC
KW	Kwikset "KW"
WE	Weiser "E"
SC	Schlage "C"
GA	Yale "GA"
LA	Sargent "LA"
LC	Less Cylinder

Example

If you ordered: QET230 E 626

You would get: Grade 1 Escutcheon Passage Trim Lever, Sierra Design, Satin Chrome.

This trim matches to the QED200 Series Exit Devices.

NOTES:

* Applies to Surface Vertical Rods only

** Applies to Cylinder Dogged only



Rim Type

Performance Features

- Tested and certified to significantly exceed 500,000 cycles required for Grade 1 certification.
- Field sizeable. 36" to 32" door application (91.44cm-81.28cm).
- Consistent styling allows for harmonization with other STANLEY Commercial Hardware products.

Certifications



- ANSI/BHMA A156.3 – Grade 1.
- UL/cUL listed (3 hours) for "A" label door applications (8' x 8')
- ANSI A117.1 Section 404.2.6 Accessibility Code (ADA Compliant)
- California Administrative Code Title 24 (for Sierra and Summit lever trims)

Product Specifications

- Handing – All QED300 Series Exit Devices are non-handed.
- Door thickness – 1 3/4" standard (44.5mm).
- Latch bolt – Stainless steel 3/4" throw (19mm).
- Strike – Stainless steel body with plated steel roller standard fire-rated stainless steel strike, with stainless steel roller standard on QED313.
- Fasteners – Wood and machine screws standard. Sex bolts optional. (Standard on fire-rated device).
- Head cap & end cap – Zinc die-cast.
- Trims – Sierra, Summit and Slate styles available.
Escutcheon offering – Dummy, passage, keyed, night latch.
Pull plate offering – Dummy, thumbpiece, night latch, flat plate.
- Stile width – 3 7/8" minimum (98mm).
- Dogging – Hex key dogging and cylinder dogging available.
- Standard backset – 2 1/4" (57mm) to face of doorstop.

Keying

- Offered with the following keyway options: BF-SFIC "F", KW-Kwikset, WE-Weiser, SC-Schlage, GA-Yale, LA-Sargent & LC-Less Cylinder.
Consult factory for other cylinder options and for details on Mortise and Rim Cylinder requirements.

Warranty

- Lifetime Mechanical and 3-year finish



QED311



Sierra (E)

Summit (M)

Slate (A)

Thumbpiece Plate (L)



QRT360 M



QRT320 E

Functions

Series	Description
QED311	Rim Hex Dog
QED312	Rim Cylinder Dog
QED313	Rim Fire-Rated

Exit Trim Offerings

ANSI	Series	Description
02	QET320	Dummy Lever Escutcheon
02	QET325	Dummy Pull Plate
14	QET330	Passage Lever Escutcheon
08	QET360	Keyed Lever Escutcheon
05	QET365	Thumbpiece
02	QET367	Dummy Thumbpiece Pull Escutcheon
03	QET370	Night Latch Lever Escutcheon
03	QET375	Night Latch Pull
—	QET377	Gull Wing Pull Escutcheon
01	QET390	Flat Plate
02	QRT320	Dummy Round Rose Lever
14	QRT330	Passage Round Rose Lever
08	QRT360	Keyed Round Rose Lever
03	QRT370	Night Latch Round Rose Lever

Finishes

BHMA	Description
689	Painted Aluminum
690	Painted Duranodic Bronze

Surface Vertical Rod (SVR) Type

Performance Features

- Tested and certified to significantly exceed 500,000 cycles required for Grade 1 certification.
- Field sizeable. 36" to 32" door application (91.44cm-81.28cm).
- Thru-bolt trim design for increased security and durability.
- Consistent styling allows for harmonization with other STANLEY Commercial Hardware products.

Certifications



- ANSI/BHMA A156.3 – Grade 1.
- UL/cUL listed (1.5 hours) for "A" label door applications (8' x 8')
- ANSI A117.1 Section 404.2.6 Accessibility Code (ADA Compliant)
- California Administrative Code Title 24 (for Sierra and Summit lever trims)

Product Specifications

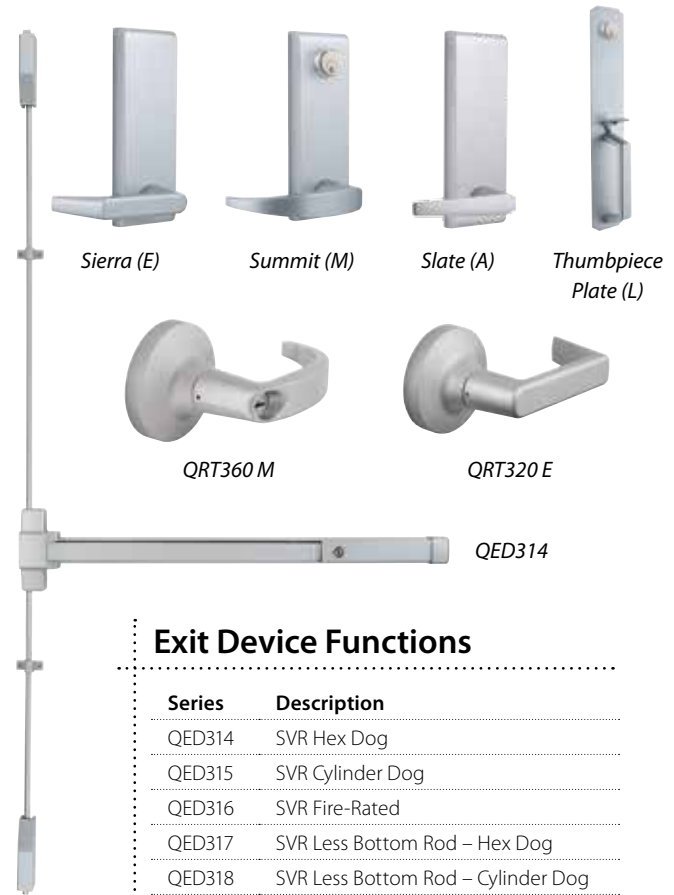
- Handing – All QED300 Series Exit Devices are non-handed.
- Door thickness – 1 3/4" standard (44.5mm).
- Door height – 7' standard with 84" rods; 8' optional with 96" rods (2.1336m x 2.438m).
- Latch bolt – 1/2" (12.7mm) throw on top latch; 3/8" (9.53mm) on bottom latch.
- Fasteners – Wood and machine screws standard. Sex bolts optional. (Standard on fire-rated device).
- Head cap & end cap – Zinc die-cast.
- Trims – Sierra, Summit and Slate styles available.
Escutcheon offering – Dummy, passage, keyed, night latch.
Pull plate offering – Dummy, thumbpiece, night latch, flat plate.
- Stile width – 3 1/2" minimum (89mm).
- Dogging – Hex key dogging and cylinder dogging available.
- Standard backset – 2 1/4" (57mm) to face of doorstop.
- QED319 includes bottom fire latch.

Keying

- Offered with the following keyway options: BF-SFIC "F", KW-Kwikset, WE-Weiser, SC-Schlage, GA-Yale, LA-Sargent & LC-Less Cylinder.
Consult factory for other cylinder options and for details on Mortise and Rim Cylinder requirements.

Warranty

- Lifetime Mechanical and 3-year finish



Exit Device Functions

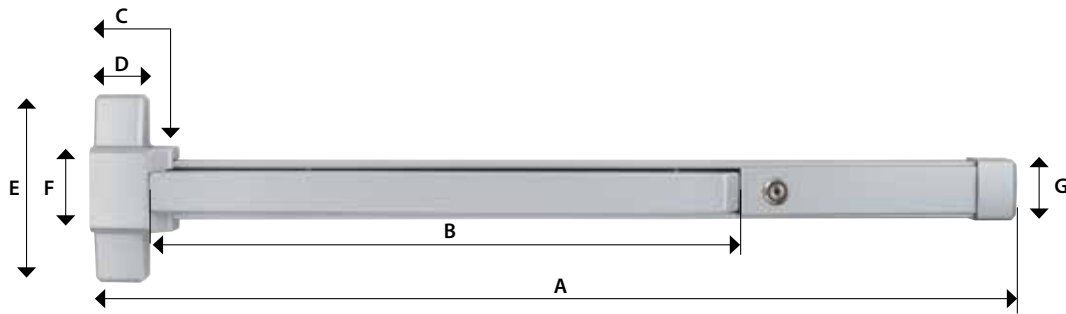
Series	Description
QED314	SVR Hex Dog
QED315	SVR Cylinder Dog
QED316	SVR Fire-Rated
QED317	SVR Less Bottom Rod – Hex Dog
QED318	SVR Less Bottom Rod – Cylinder Dog
QED319	SVR Less Bottom Rod – Fire-Rated

Exit Trim Offerings

ANSI	Series	Description
02	QET320	Dummy Lever Escutcheon
02	QET325	Dummy Pull Plate
14	QET330	Passage Lever Escutcheon
08	QET360	Keyed Lever Escutcheon
05	QET365	Thumbpiece
02	QET367	Dummy Thumbpiece Pull Escutcheon
03	QET370	Night Latch Lever Escutcheon
03	QET375	Night Latch Pull
01	QET390	Flat Plate
02	QRT320	Dummy Round Rose Lever
14	QRT330	Passage Round Rose Lever
08	QRT360	Keyed Round Rose Lever
03	QRT370	Night Latch Round Rose Lever

Finishes

BHMA	Description
689	Painted Aluminum
690	Painted Duranodic Bronze



QED300 Series	36" Device							
	Minimum Door Width	Device Length	Pushpad Length	Head Cap Length	Head Cap Length	Head Cap Width	Head Cap Width	End Cap Length
Measurement		A	B	C	D	E	F	G
Panic Rated (with Dogging)	30"	27"	19"	2.75"	1.75"	6.25"	3"	2"
	762mm	685.80mm	482.60mm	69.90mm	44.50mm	158.80mm	76.20mm	50.80mm
Fire-Rated or Panic with Dogging Removed	28"	25"	19"	2.75"	1.75"	6.25"	3"	2"
	711.20mm	635mm	482.60mm	69.90mm	44.50mm	158.80mm	76.20mm	50.80mm

Model/Series	Functions	Case Qty
QED311	Rim Hex Dog	4
QED312	Rim Cylinder Dog	4
QED313	Rim Fire-Rated	4
QED314	SVR Hex Dog	4
QED315	SVR Cylinder Dog	4
QED316	SVR Fire-Rated	4
QED317	SVR Less Bottom Rod – Hex Dog	4
QED318	SVR Less Bottom Rod – Cylinder Dog	4
QED319	SVR Less Bottom Rod – Fire-Rated (Includes Auxiliary Bottom Fire Latch)	4

Other Options

8FT	Vertical rod kit for 8FT door application
48"	48" Device

11	Rim Hex Dog
12	Rim Cylinder Dog
13	Rim Fire-Rated
14	SVR Hex Dog
15	SVR Cylinder Dog
16	SVR Fire-Rated
17	SVR LBR – Hex Dog
18	SVR LBR – Cylinder Dog
19	SVR LBR – Fire-Rated

7FT	7 ft Rod
8FT	8 ft Rod

KW	Kwikset "KW"
WE	Weiser "E"
SC	Schlage "C"
GA	Yale "GA"
LA	Sargent "LA"
BF	SFIC "F"
LC	Less Cylinder

Base Part Number							
Series	Function	Size	Height	Finish	Keyway	Keying	Notes
QED3	15	36"	7FT	689	KW	KD	XXXX

QED3xx	Grade 1 Standard-Duty Exit Device
--------	-----------------------------------

36"	36" Device	689	Painted Aluminum
48"	48" Device	690	Painted Duranodic Bronze

KD	Keyed Different
KA	Keyed Alike
CK	Construction Keyed
CMK	Construction Master Keyed
MAIS	Maison Keyed
MK	Master Keyed
GMK	Grand Master Keyed
GGMK	Great Grand Master Keyed
ZB	Zero Bitted

Example

If you ordered: QED315 36" 7FT 689 KW KD

You would get: Grade 1 Standard-Duty Surface Vertical Rod Exit Device 36", with Cylinder Dogging, for a 7' height, in Painted Aluminum finish. Kwikset Keyway, Keyed Different.



Performance Features

- 2" x 3" steel mullion tube. 1/8" wall thickness.
- Size – Standard for openings 8' high, field sizeable for openings less than 8'; 9', 10', 11' & 12' also available and are field sizeable.
- Mullion is pre-prepped for QED300 Series Exit Devices.
- **Fire Rating 8' high max.**
- Available finishes – Primer (600), Aluminum (689) & Dark Bronze (695).

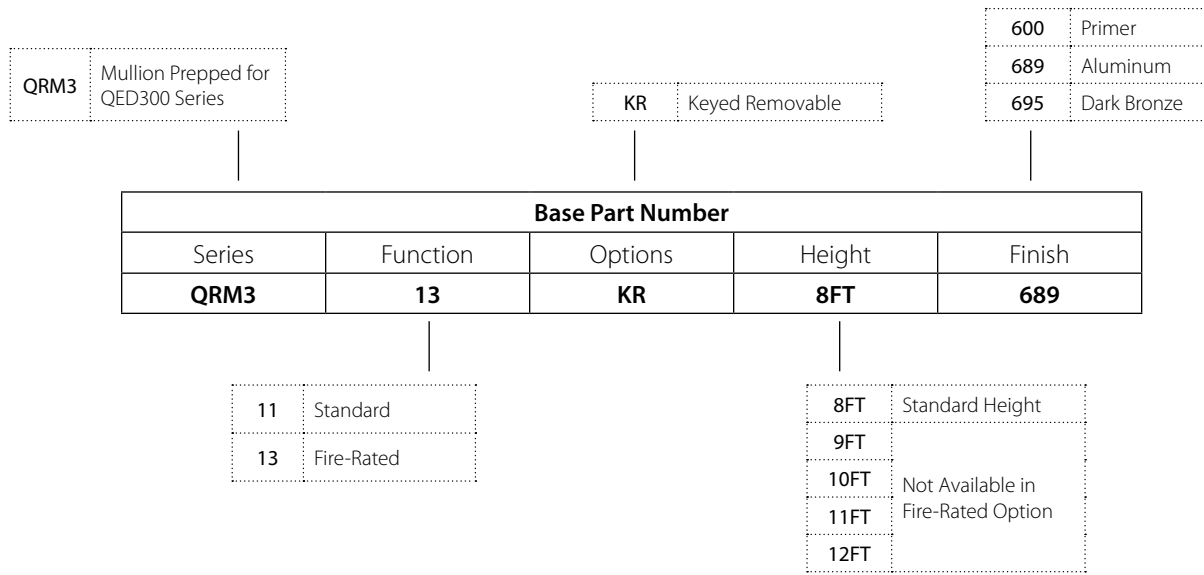


KEYED REMOVABLE MULLIONS (CONSULT FACTORY FOR MULLION LEAD TIMES)

Order	Description
Cylinder not included. Keyed removable mullions utilize standard rim cylinders. Reference cylinders, keys & keying section for more details.	
QRM311 KR	Keyed Removable Mullion. Includes: Mullion tube, cap, base, fasteners & strike.
QRM313 KR	Fire-Rated, Keyed Removable Mullion. Includes: Mullion tube, cap, base, fasteners & strike interlock.

REMOVABLE MULLIONS (CONSULT FACTORY FOR MULLION LEAD TIMES)

Order	Description
QRM311	Removable Mullion. Includes: Mullion tube, cap, base, fasteners & strike.
QRM313	Fire-Rated, Removable Mullion. Includes: Mullion tube, cap, base, fasteners & strike interlock.



Example

If you ordered: QRM313 KR 8FT 689

You would get: Keyed Removable, Fire-Rated Mullion, 8' Height, with Aluminum finish. Prepped for QED300 Series strike.



Escutcheon Trims Sierra (E)

Available in: 689, 690



Escutcheon Trims Summit (M)

Available in: 689, 690



Escutcheon Trims Slate (A)

Available in: 689, 690



Model/Series	Functions	Style	Cylinder Type	Qty
QET320	Dummy Lever Escutcheon	E/M/A	—	12
QET330	Passage Lever Escutcheon	E/M/A	—	12
QET360	Keyed Lever Escutcheon (Classroom)	E/M/A	Mortise	12
QET370	Night Latch Lever Escutcheon (Storeroom)	E/M/A	Mortise	12

NOTES:
Cylinders ordered separately.

Escutcheon Trims Pull & Flat Plates

Available in: 689, 690



Dummy Pull
QET325



Thumbpiece
QET365



Dummy Thumbpiece
QET367



Night Latch Pull
QET375



Gull Wing Pull
QET377



Flat Plate
QET390

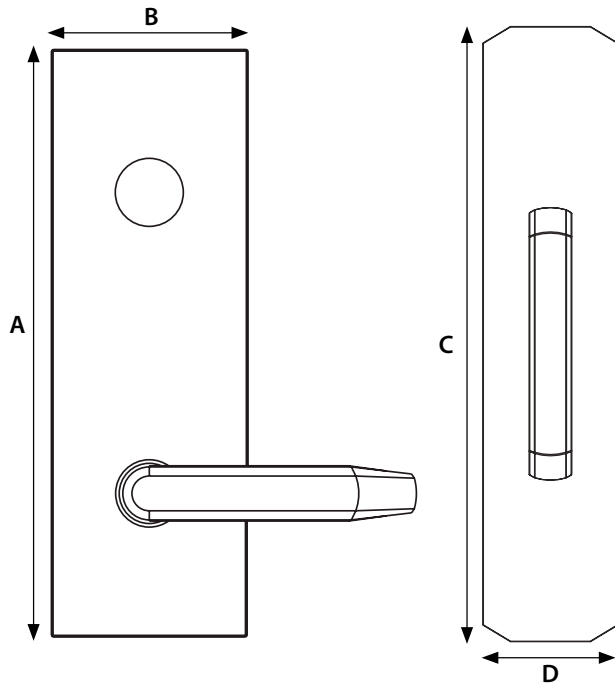
Model/Series	Functions	Style	Cylinder Type	Qty
QET325	Dummy Pull Escutcheon	L	—	12
QET365	Thumbpiece Pull Escutcheon	L	Mortise	12
QET367	Dummy Thumbpiece Pull Escutcheon	L	—	12
QET375	Night Latch Pull Escutcheon	L	Rim	12
QET377	Gull Wing Pull Escutcheon	Gull Wing	Rim	12
QET390	Flat Plate Escutcheon	N/A	—	12

NOTES:
Cylinders ordered separately.

EXIT DEVICES

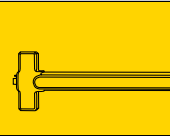
EXIT DEVICES

QET 300 Series Grade 1 Standard-Duty Exit Escutcheon Trims



DIMENSIONS			
A	B	C	D
8.0625"	2.625"	14"	3"
204.79mm	66.675mm	355.60mm	76.70mm

Model/Series	Functions	Description
QET320	Dummy Lever Escutcheon	Used for door pull when device is dogged or as matching inactive trim. No mechanical operation.
QET325	Dummy Pull Escutcheon	Used for door pull when device is dogged or as matching inactive trim. No mechanical operation.
QET330	Passage Lever Escutcheon	Lever is always unlocked and always free for immediate ingress.
QET360	Keyed Lever Escutcheon	Key locks & unlocks lever (operates same as classroom function).
QET365	Thumbpiece Pull Escutcheon	Key locks & unlocks thumbpiece (operates same as classroom function).
QET367	Dummy Thumbpiece Pull Escutcheon	Used for door pull when device is dogged or as matching inactive trim. No mechanical operation. Matches QET365.
QET370	Night Latch Escutcheon	Lever always locked, key retracts latch for entrance (operates same as storeroom function).
QET375	Night Latch Pull Escutcheon	Outside always locked, key retracts latch for entrance (operates same as storeroom function).
QET377	Gull Wing Pull Escutcheon	Outside always locked, key retracts latch for entrance (operates same as storeroom function).
QET390	Flat Plate Escutcheon	Blank trim plate—used to cover existing door prep for an exit-only application.



20	DL – Dummy Trim Lever
25	DP – Dummy Trim Pull
30	PL – Passage Lever
60	KL – Keyed Lever
65	TP – Thumbpiece Escutcheon
67	DT – Dummy Thumbpiece Escutcheon
70	NL – Night Latch Lever Escutcheon
75	NL – Night Latch Pull
77	GW – Gull Wing
90	Flat Plate

689	Painted Aluminum
690	Painted Duranodic Bronze

KD	Keyed Different
KA	Keyed Alike
CK	Construction Keyed
CMK	Construction Master Keyed
MAIS	Maison Keyed
MK	Master Keyed
GMK	Grand Master Keyed
GGMK	Great Grand Master Keyed
ZB	Zero Bitted

Base Part Number						
Series	Function	Design	Finish	Keyway	Keying	Notes
QET3	60	E	689	KW	KD	XXXX

QET3xx	Grade 1 Standard-Duty Exit Trim
--------	---------------------------------

E	Sierra
M	Summit
A	Slate

KW	Kwikset "KW"
WE	Weiser "E"
SC	Schlage "C"
GA	Yale "GA"
LA	Sargent "LA"
BF	SFIC "F"
LC	Less Cylinder

EXIT DEVICES

Example

If you ordered: QET360 E 689 KW KD

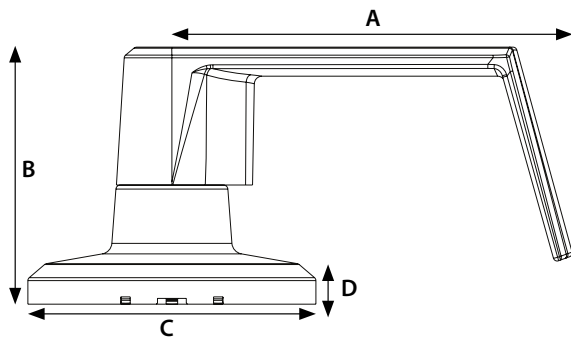
You would get: Grade 1 Escutcheon Keyed Lever, Sierra design, Painted Aluminum finish, Kwikset Keyway, Keyed Different. This trim matches the QED300 Series Exit Devices.

EXIT DEVICES

QRT 300 Series Grade 1 Standard-Duty Exit Rose Trims

Round Rose Trims Sierra (E)

Available in: 626, 689, 690



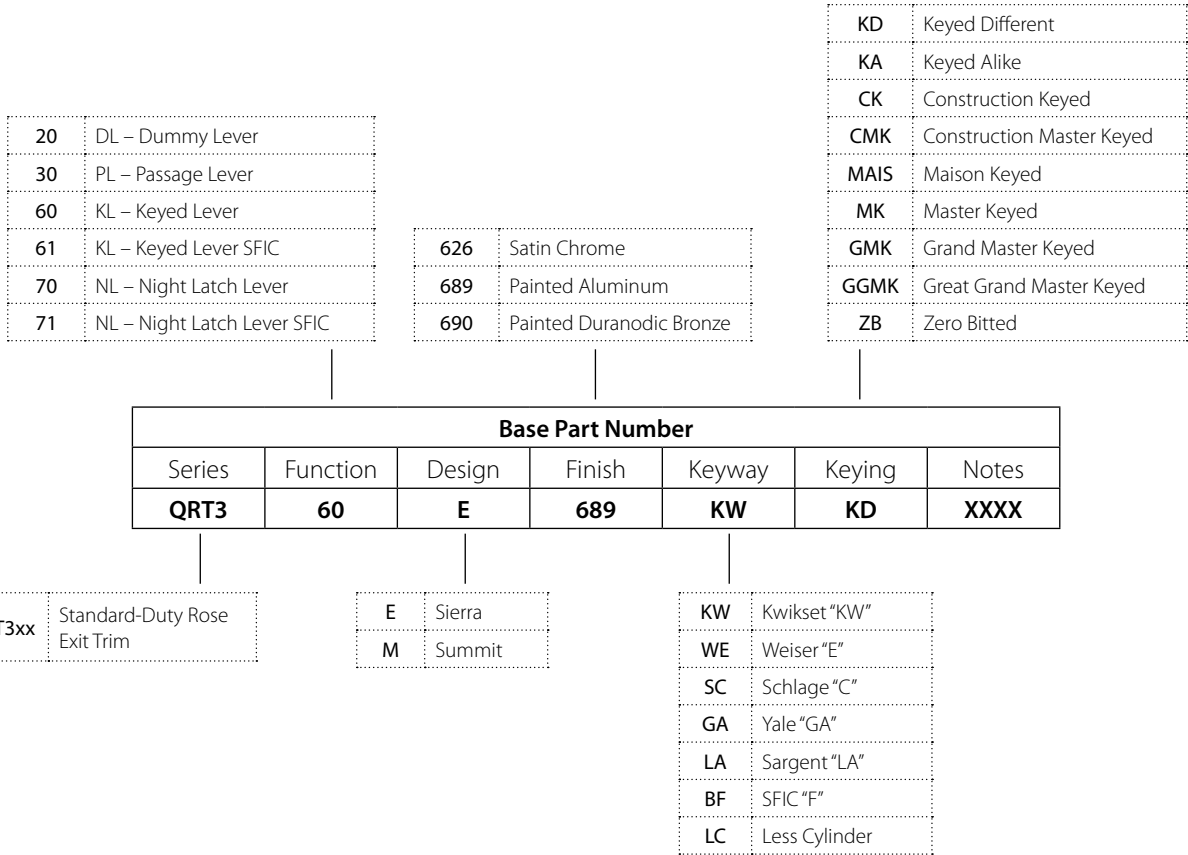
Round Rose Trims Summit (M)

Available in: 626, 689, 690



DIMENSIONS				
	A	B	C	D
Sierra	4.98"	3.15"	3.12"	.52"
	126.49mm	80.01mm	79.25mm	13.21mm
Summit	4.95"	3.45"	3.12"	.52"
	125.73mm	87.63mm	79.25mm	13.21mm

Model/Series	Functions	Description	Style	Case Qty
QRT320	Dummy Lever	Used for door pull when device is dogged or as matching inactive trim. No mechanical operation.	E/M	12
QRT330	Passage Lever	Levers always unlocked and always free for immediate ingress.	E/M	12
QRT360/361	Keyed Lever (Classroom)	Key locks & unlocks lever (operates same as classroom function). Clutch feature disengages outside lever from latch when locked to prevent vandalism.	E/M	12
QRT370/371	Keyed Lever (Storeroom)	Lever always locked, key retracts latch for entrance (operates same as storeroom function). Clutch feature disengages outside lever from latch when locked to prevent vandalism.	E/M	12



Example

If you ordered: QRT360 E 689 KW KD

You would get: Standard-Duty Keyed Lever Round Rose Trim, Sierra design, Painted Aluminum finish, Kwikset Keyway, Keyed Different. This trim matches the QED300 Series Exit Devices.