

QTL 200 Series: Grade 2 Standard-Duty Tubular Locks

Performance Features

- Tested to meet Grade 2 specification of 400,000 cycles.
- Heavy-duty torsion springs provide longer performance life and prevent lever sag.
- Concealed mounting screws.
- "Anti-Lockout" feature. The entry function will have a free interior. If the door is locked from the inside, it will unlock with the push of the interior side of the lever only or the turn of the button.
- 1/2" (13mm) latch bolt made of stainless steel black powder metallurgy for enhanced durability and strength. Compartmentalized packaging allows for quick and easy installation.

Certifications

- ANSI/BHMA A156.2 Series – Grade 2
- ANSI A117.1 Accessibility Code (ADA Compliant)
- UL/cUL Listed (3 hours) for "A" label single-door applications (4' x 8') (1.219m x 2.438m)
- UL10C/UBC 7-2 (1997) Positive Pressure Rated
- UL10B Pressure Rated
- California State Reference Code (formerly Title 19 – Fire Marshal)
- Hurricane Compliant – Miami-DADE N.O.A. See page 78 for more details.



Product Specifications

- Handing – All QTL200 Series Levers Locksets are non-handed.
- Door thickness – 1 3/8" - 1 3/4" (35mm-51mm) standard.
- Backset – Universal backset standard, will fit either 2 3/8" or 2 3/4" backsets (60mm-70mm).
- Exposed trim – Pressure cast zinc, plated to match finish designation.
- Strike – Full-lip strike standard (57mm x 44.4mm). Other strike options also available.
- Latch bolt – 1/2" (13mm) steel throw.
- Latch faceplate – 1" x 2 1/4" (25.4mm x 57mm) standard.

Keying

- 6-pin non-IC brass cylinders. 6 or 7 pin SFIC option available. Many keying options available from our factory to include, but not limited to, master keying, grand master keying and construction keying.
- 2 keys per lockset.
- Offered with the following keyway options: BF-BEST "F" SFIC, KW-Kwikset, WE-Weiser, SC-Schlage, GA-Yale, LA-Sargent, & LC-Less Cylinder. Consult factory for other cylinder options.

Warranty

- Lifetime Mechanical and 3-year finish*

*(613/US10B carries no finish warranty)



Sierra (E)



Summit (M)



Slate (A)

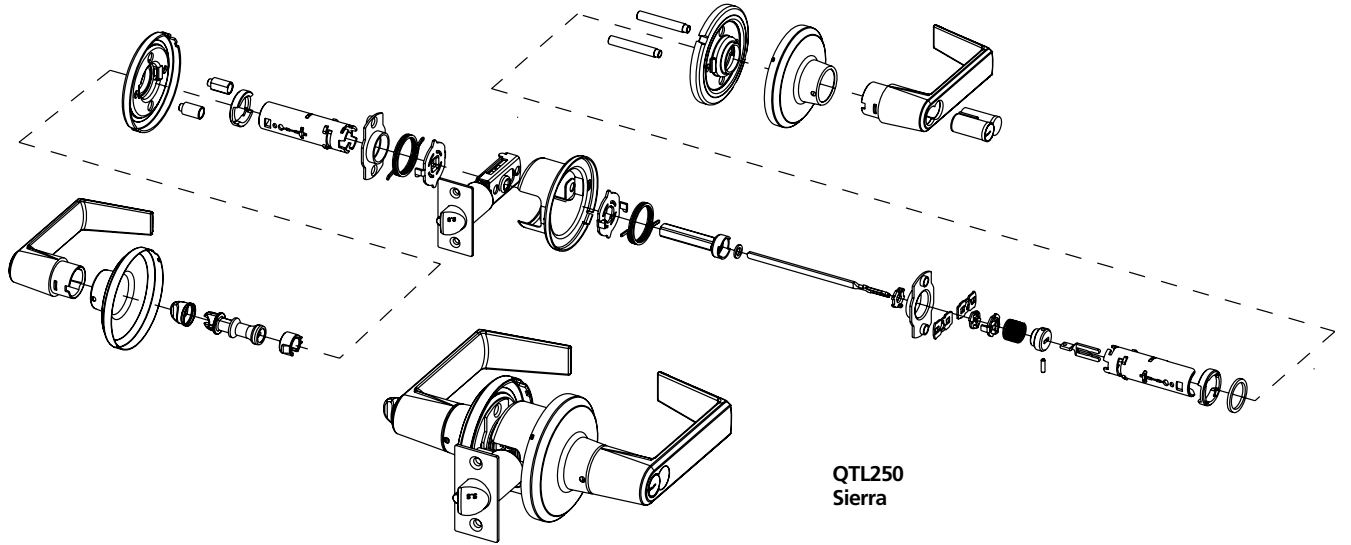
Functions

ANSI	Series	Description
—	QTL220	Single Dummy
F75	QTL230	Passage
F76B	QTL240	Privacy
F82	QTL250	Entry/Office
F82	QTL251	Entry/Office SFIC
F84	QTL260	Classroom
F84	QTL261	Classroom SFIC
F86	QTL270	Storeroom
F86	QTL271	Storeroom SFIC

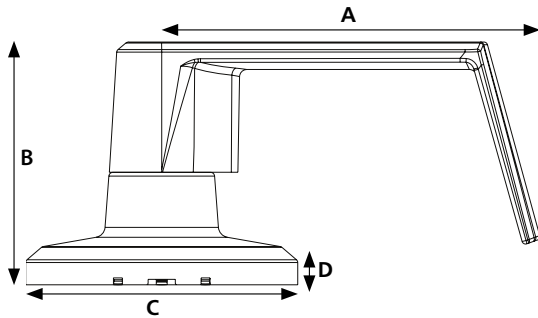
Finishes

BHMA	Description
605	Bright Brass
613	Oil Rubbed Bronze
619	Satin Nickel
625	Bright Chrome
626	Satin Chrome

QTL 200 Series: Grade 2 Standard-Duty Tubular Locks



**QTL250
Sierra**



Dimensions				
	A	B	C	D
Sierra	4.103"	2.635"	2.953"	.443"
	104.21mm	66.93mm	75mm	11.24mm
Summit	4.224"	2.663"	2.953"	.443"
	107.29mm	67.64mm	75mm	11.24mm
Slate	4.488"	2.728"	2.953"	.443"
	114mm	69.30mm	75mm	11.24mm

MECHANICAL LOCKS

Functions	ANSI		Description	Case Qty
QTL220 Single Dummy	—		For one side of door. Used for door pull or as matching inactive trim. No mechanical operation. Surface-mounted single dummy trim.	12
QTL230 Passage	F75		Both levers always unlocked and always free for immediate ingress & egress.	10
QTL240 Privacy	F76B		Turn-button locking. Can be opened from outside with small screwdriver. Turning inside lever releases turn-button. Inside lever is always free for immediate egress.	10
QTL250/251 Entry/Office	F82		Unlocked by key from outside when outside lever is locked by turn-button on inside lever. Inside lever always unlocked and available for immediate egress.	10
QTL260/261 Classroom	F84		Outside lever locked or unlocked by key. Inside lever is always unlocked and free for immediate egress.	10
QTL270/271 Storeroom	F86		Outside lever always locked. Entrance by key only. Inside lever always unlocked and free for immediate egress.	10

How to Order QTL 200 Series: Grade 2 Standard-Duty Tubular Locks

Example

If you ordered: QTL270 E626 SA FLR F6 KA H 625

You would get: Grade 2 Hurricane Compliant Tubular Storeroom Lock, Sierra Lever, Satin Chrome x Bright Chrome, Adjustable Square Latch, Full Lip 1/4" Radius Corner Strike, Standard "F" Keyway, Keyed Alike.

20	Single Dummy
30	Passage
40	Privacy
50	Entry/Office
51	Entry/Office SFIC
60	Classroom
61	Classroom SFIC
70	Storeroom
71	Storeroom SFIC

605	Bright Brass
613	Oil Rubbed Bronze
619	Satin Nickel
625	Bright Chrome
626	Satin Chrome

BF	BEST "F" SFIC
KW	Kwikset "KW"
WE	Weiser "E"
SC	Schlage "C"
GA	Yale "GA"
LA	Sargent "LA"
LC	Less Cylinder

Base Part Number								
Series	Function	Design	Finish	Latch	Strike	Keyway	# of Pins	Keying
QTL2	71	E	626	SA	FLR	F	6	KA

Additional Options	
Hurricane Compliant	2nd Finish
H	625

E	Sierra
M	Summit
A	Slate

478S	ANSI 47/8" x 1 1/4" Strike
118F	ANSI 1 1/8" x 2 1/4" Strike
FLS	Full Lip Square Corner Strike
FLR	Full Lip 1/4" Radius Corner Strike

625	Bright Chrome
-----	---------------

QTL2 Latch Table (New)	
RA	Adjustable Radius
SA	Adjustable Square
NOL	No Latch

KD	Keyed Different
KA	Keyed Alike
SK	Special Keying
	-Construction Keyed
	-Construction Master Keyed
	-Maison Keyed
	-Master Keyed
	-Grand Master Keyed
	-Great Grand Master Keyed
ZB	Zero Bitted

STANLEY®

6161 East 75th Street
Indianapolis, IN 46250 USA

Phone 855-365-2407

stanleyhardwarefordoors.com

ST-CH-0005 Rev. 7/14/2018
© 2018 dormakaba Holding. All rights reserved.

© 2018 Stanley Black & Decker, Inc. STANLEY® and the STANLEY® Notched Rectangle logo are registered trademarks of Stanley Black & Decker Inc. or one of its affiliates, and are used under license

dormakaba 

dormakaba.com