

QCL 100 Series: Grade 1 Heavy-Duty Cylindrical Locks

Performance Features

- Tested to meet Grade 1 specification of 800,000 cycles.
- Standard clutching mechanism provides resistance to damage caused by physical force.
- Thru-bolt design and heavy-duty spring tension provides longer performance life and prevents lever sag.
- Concealed mounting screws.
- Compartmentalized packaging allows for quick and easy installation.

Certifications

- ANSI/BHMA A156.2 Series – Grade 1
- ANSI A117.1 Accessibility Code (ADA Compliant)
- UL/cUL Listed (3 hours) for “A” label single-door applications (4' x 8') (1.219m x 2.438m)
- UL10C/UBC 7-2 (1997) Positive Pressure Rated
- UL10B Pressure Rated
- California State Reference Code (formerly Title 19 – Fire Marshal)
- Hurricane Compliant – Miami-DADE N.O.A. See page 78 for more details.



Product Specifications

- Handing – All QCL100 Series Levers Locksets are non-handed.
- Door thickness – 1 3/8" - 2" (35mm-51mm) standard.
- Backset – 2 3/4" (70mm) square standard. 2 3/8" and 5" (60mm, 127mm) available.
- Exposed trim – Pressure cast zinc, plated to match finish designation.
- Strike – ANSI Strike 1 1/4" x 4 7/8" (32mm x 124mm) standard. Other strike options also available.
- Door prep – 2 1/8" (54mm) diameter cross bore.
- Latch bolt – Keyed/Exterior 1/2" (12.7mm) steel throw; Interior 1/2" (12.7mm) spring latch.
- Latch faceplate – 1 1/8" x 2 1/4" (29mm x 57mm) standard.
- Single dummy is surface mounted.
- Electrification options available.

Keying

- 6-pin non-IC brass cylinders. 6 or 7 pin SFIC option available. Many keying options available from our factory to include, but not limited to, master keying, grand master keying and construction keying.
- 2 keys per lockset.
- Offered with the following keyway options: BF-BEST "F" SFIC, KW-Kwikset, WE-Weiser, SC-Schlage, GA-Yale, LA-Sargent, & LC-Less Cylinder. Consult factory for other cylinder options.

Warranty

- Lifetime Mechanical, 3-year finish,* and 1-year electrical

*(613/US10B carries no finish warranty)



Sierra (E)

Summit (M)



Slate (A)

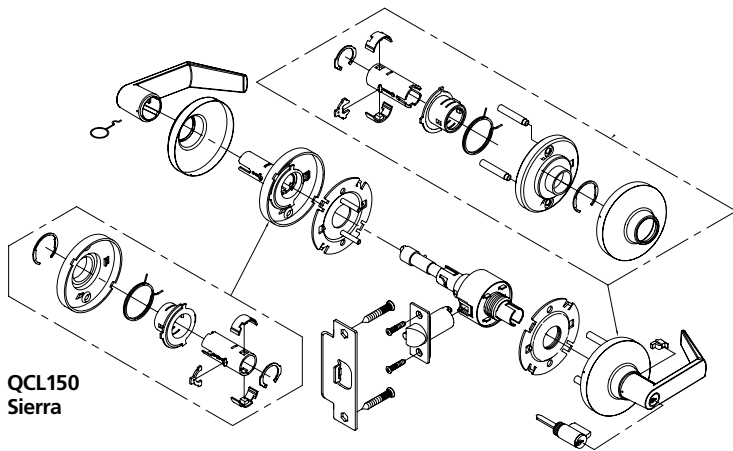
Functions

ANSI	Series	Description
—	QCL120	Single Dummy
F75	QCL130	Passage
F111	QCL135	Communicating
F76	QCL140	Privacy
F109	QCL150	Entry/Office
F109	QCL151	Entry/Office SFIC
F90	QCL154	Corridor
F90	QCL155	Corridor SFIC
F84	QCL160	Classroom
F84	QCL161	Classroom SFIC
F110	QCL168	Classroom Security
F110	QCL169	Classroom Security SFIC
F86	QCL170	Storeroom
F86	QCL171	Storeroom SFIC
—	QCL192	Electronically Locked
—	QCL193	Electronically Locked SFIC
—	QCL194	Electronically Unlocked
—	QCL195	Electronically Unlocked SFIC

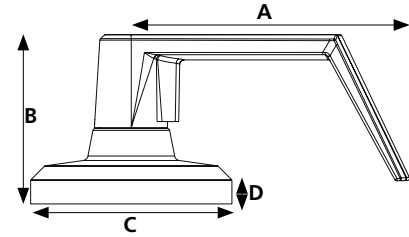
Finishes

BHMA	Description
605	Bright Brass
613	Oil Rubbed Bronze
619	Satin Nickel
625	Bright Chrome
626	Satin Chrome

QCL 100 Series: Grade 1 Heavy-Duty Cylindrical Locks



QCL150
Sierra



Dimensions				
	A	B	C	D
Sierra	4.895"	2.985"	3.543"	.407"
	124.32mm	75.82mm	90mm	10.34mm
Summit	4.929"	3.034"	3.543"	.407"
	125.20mm	77.06mm	90mm	10.34mm
Slate	4.937"	2.993"	3.543"	.407"
	125.40mm	76mm	90mm	10.34mm

Functions	ANSI		Description	Case Qty
QCL120 Single Dummy	—		Dummy trim for one side of door. Used for door pull or as matching inactive trim. No mechanical operation. Surface-mounted single dummy trim.	12
QCL130 Passage	F75		Both levers always unlocked and always free for immediate ingress & egress.	6
QCL135 Communicating	F111		Blank plate outside. Inside lever always unlocked and always free.	6
QCL140 Privacy	F76		Push-button locking. Can be opened from outside with a small screwdriver. Turning inside lever or closing door releases button. Inside lever is always free for immediate egress. Clutch feature disengages outside lever from latch when locked to prevent vandalism.	6
QCL150/151 Entry/Office	F109		Turn/push-button locking; pushing and turning button locks outside lever, requiring use of key until button is manually unlocked. Push-button locking; pushing button locks outside lever until unlocked by key or by depressing inside lever. Clutch feature disengages outside lever from latch when locked to prevent vandalism. Inside lever is always free for immediate egress.	6
QCL154/155 Corridor	F90		Deadlocking latch bolt operates by lever from either side except when outside lever is locked by key in outside lever, or by push-button on inside. Key in outside lever locks or unlocks outside lever. Operating inside lever releases push-button. Closing door releases push-button. Inside lever always operates latch bolt.	6
QCL160/161 Classroom	F84		Key required to either lock or unlock outside lever. Inside lever is always unlocked and free for immediate egress. Clutch feature disengages outside lever from latch when locked to prevent vandalism.sdf	6
QCL168/169 Classroom Security	F110		Key in either lever required to lock or unlock outside lever. Inside lever is always unlocked for immediate egress.	6
QCL170/171 Storeroom	F86		Outside lever always locked. Entrance by key only. Inside lever unlocked and free for immediate egress. Clutch feature disengages outside lever from latch when locked to prevent vandalism.	6

QCL 100 Series: Grade 1 Heavy-Duty Cylindrical Locks

Electrified Options (Consult Factory For Lead Times)

Model #	Description
QCL192	Electronically locked (fail safe). Outside lever continuously locked electrically. Unlocked by key outside, by switch, or by power failure. Inside always free for immediate egress.
QCL193 (SFIC)	
QCL194	Electronically unlocked (fail secure). Outside lever continuously locked until unlocked by key or electric current. Inside always free for immediate egress.
QCL195 (SFIC)	
QCL170—X	Request to exit. Switch monitors inside lever rotation. Incorporates into alarm systems or in conjunction with an electromagnet.
QCL171—X (SFIC)	
QCL192—X	Electronically locked (fail safe) with request to exit. Outside lever continuously locked electrically. Unlocked by key outside, by switch, or by power failure. Inside always free for immediate egress. Ability to tie into alarm systems.
QCL193—X (SCFIC)	
QCL194—X	Electronically unlocked (fail secure) with request to exit. Outside lever continuously locked until unlocked by key or electric current. Inside always free for immediate egress. Ability to tie into alarm systems.
QCL195—X (SCFIC)	
8Q00314	Fail Safe / Fail Secure 24VDC Power Supply

Electrified Product Specifications

- Consult factory for lead times.
- Electrification prices should be added to list price of lock.
- Standard door prep.
- Deadlocking latch.
- Key override allows key to retract latch bolt momentarily on electronically locked models.
- Inside lever always free for immediate egress.
- Continuous duty solenoids.
- Tie into alarm systems and electromagnetic locks.
- 12V AC/DC with .250 AMP current.
24V AC/DC with .150 AMP current.
- Specify voltage when ordering.
- Lifetime warranty on lock body; 1-year warranty on electric components.
- Uses power supply 8Q00314.
- Warranty: 1-year electrical.

Power Supply Specifications

- Consult factory for lead times.
- Provides power for fail safe or fail secure locking devices.
- UL listed, US & Canada, Class 2.
- Filtered and regulated 24DC constant voltage.
- 2 AMP load capacity.
- Over voltage/short-circuit protection.
- Surge suppression for locking devices.
- Interface relay to isolate the locking device current from the control switch.
- Auxiliary 24V DC constant voltage for powering stand-alone devices such as keypads, motion detectors, status indicators, etc.
- Field terminal block set at 45° for ease of installation.
- Can power up to twelve 24V cylindrical fail safe/ fail secure levers – refer to installation manual for additional details.

Example

If you ordered: QCL192 E626 S4 478S KW5 KA 24V X 625

You would get: Grade 1 Electronically Locked Cylindrical Lock, Sierra Lever, Satin Chrome x Bright Chrome, 2 3/4" Dead Latch Square, ANSI 4 7/8" x 1 1/4" Strike, Kwikset Keyway, Keyed Alike.

With options: 24-Volt Power and Request to Exit

How to Order

QCL 100 Series: Grade 1 Heavy-Duty Cylindrical Locks

Example

If you ordered: QCL170 E626 S4 478S F6 KA H

You would get: Grade 1 Hurricane Compliant Cylindrical Storeroom Lock, Sierra Lever, Satin Chrome, 2 3/4" Dead Latch Square, ANSI 4 7/8" x 1 1/4" Strike, Standard "F" Keyway, Keyed Alike.

MECHANICAL LOCKS

20	Single Dummy
30	Passage
35	Communicating
40	Privacy
50	Entry/Office
51	Entry/Office SFIC
54	Corridor
55	Corridor SFIC
60	Classroom
61	Classroom SFIC
68	Classroom Security
69	Classroom Security SFIC
70	Storeroom
71	Storeroom SFIC
Added Functions (New)	
92	Electronically Locked (fail safe)
93	Electronically Locked SFIC (fail safe)
94	Electronically Unlocked (fail secure)
95	Electronically Unlocked SFIC (fail secure)

605	Bright Brass
613	Oil Rubbed Bronze
619	Satin Nickel
625	Bright Chrome
626	Satin Chrome

BF	BEST "F" SFIC
KW	Kwikset "KW"
WE	Weiser "E"
SC	Schlage "C"
GA	Yale "GA"
LA	Sargent "LA"
LC	Less Cylinder

24V	24 Volt AC/DC
12V	12 Volt AC/DC

Base Part Number								
Series	Function	Design	Finish	Latch	Strike	Keyway	# Of Pins	Keying
QCL1	71	E	626	S4	478S	F	6	KA

Additional Options			
Hurricane Compliant	Power	Request To Exit	2nd Finish
H	—	—	—

E	Sierra
M	Summit
A	Slate

478S	ANSI 4 7/8" x 1 1/4" Strike
118F	ANSI 1 1/8" x 2 1/4" Strike

625	Bright Chrome
-----	---------------

QD1 Latch Table (New)	
FR4	Fire-Rated Radius 2-3/4
FS4	Fire-Rated Square 2-3/4
NOL	No Latch
R4	Radius 2-3/4
R8	Radius 2-3/8
S4	Square 2-3/4
S5	Square 5
S8	Square 2-3/8

KD	Keyed Different
KA	Keyed Alike
SK	Special Keying
	-Construction Keyed
	-Construction Master Keyed
	-Maison Keyed
	-Master Keyed
	-Grand Master Keyed
	-Great Grand Master Keyed
ZB	Zero Bitted

QCL 200 Series: Grade 2 Standard-Duty Cylindrical Locks

Performance Features

- Tested to meet Grade 2 specification of 400,000 cycles.
- Standard clutching mechanism provides resistance to damage caused by physical force.
- Thru-bolt design and heavy-duty spring tension provides longer performance life and prevents lever sag.
- Concealed mounting screws.
- Compartmentalized packaging allows for quick and easy installation.

Certifications

- ANSI/BHMA A156.2 Series – Grade 2
- ANSI A117.1 Accessibility Code (ADA Compliant)
- UL/cUL Listed (3 hours) for “A” label single-door applications (4' x 8') (1.219m x 2.438m)
- UL10C/UBC 7-2 (1997) Positive Pressure Rated
- UL10B Pressure Rated
- California State Reference Code (formerly Title 19 – Fire Marshal)
- Hurricane Compliant – Miami-DADE N.O.A. See page 78 for more details.



Sierra (E)



Summit (M)



Slate (A)

Product Specifications

- Handing – All QCL200 Series Levers Locksets are non-handed.
- Door thickness – 1 3/8" - 2" (35mm-51mm) standard.
- Backset – 2 3/4" (70mm) square standard. 2 3/8" and 5" (60mm, 127mm) available.
- Exposed trim – Pressure cast zinc, plated to match finish designation.
- Strike – ANSI Strike 1 1/4" x 4 7/8" (32mm x 124mm) standard. Other strike options also available.
- Door prep – 2 1/8" (54mm) diameter cross bore.
- Latch bolt – Keyed/Exterior 1/2" (12.7mm) steel throw; Interior 1/2" (12.7mm) spring latch.
- Latch faceplate – 1 1/8" x 2 1/4" (29mm x 57 mm) standard.

Keying

- 6-pin non-IC brass cylinders. 6 or 7 pin SFIC option available. Many keying options available from our factory to include, but not limited to, master keying, grand master keying and construction keying.
- 2 keys per lockset.
- Offered with the following keyway options: BF-BEST "F" SFIC, KW-Kwikset, WE-Weiser, SC-Schlage, GA-Yale, LA-Sargent, & LC-Less Cylinder. Consult factory for other cylinder options.

Warranty

- Lifetime Mechanical and 3-year finish*

*(613/US10B carries no finish warranty)

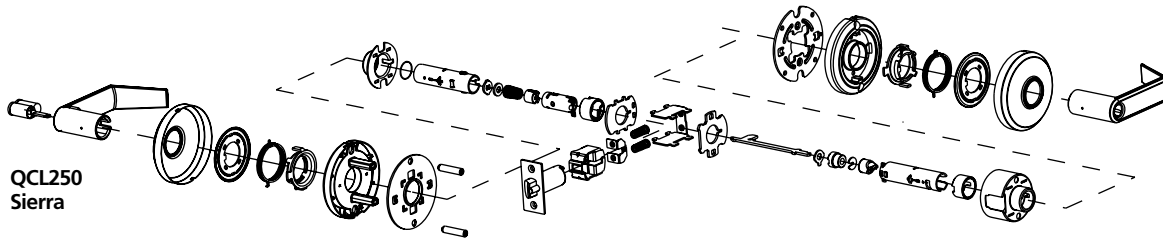
Functions

ANSI	Series	Description
—	QCL220	Single Dummy
F75	QCL230	Passage
F111	QCL235	Communicating
F76	QCL240	Privacy
F109	QCL250	Entry/Office
F109	QCL251	Entry/Office SFIC
F90	QCL254	Corridor
F90	QCL255	Corridor SFIC
F84	QCL260	Classroom
F84	QCL261	Classroom SFIC
F86	QCL270	Storeroom
F86	QCL271	Storeroom SFIC

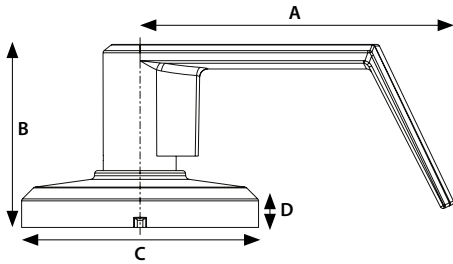
Finishes

BHMA	Description
605	Bright Brass
613	Oil Rubbed Bronze
619	Satin Nickel
625	Bright Chrome
626	Satin Chrome

QCL 200 Series: Grade 2 Standard-Duty Cylindrical Locks



QCL250
Sierra



Dimensions				
	A	B	C	D
Sierra	4.451"	2.6"	3.366"	.269"
	113.06mm	66.04mm	85.50mm	6.84mm
Summit	4.533"	2.744"	3.366"	.269"
	115.14mm	69.70mm	85.50mm	6.84mm
Slate	4.535"	2.87"	3.366"	.269"
	115.20mm	72.90mm	85.50mm	6.84mm

Functions	ANSI		Description	Case Qty
QCL220 Single Dummy	—		Dummy trim for one side of door. Used for door pull or as matching inactive trim. No mechanical operation. Surface-mounted single dummy trim.	12
QCL230 Passage	F75		Both levers always unlocked and always free for immediate ingress & egress.	6
QCL235 Communicating	F111		Blank plate outside. Inside lever always unlocked and always free.	6
QCL240 Privacy	F76		Push-button locking. Can be opened from outside with a small screwdriver. Turning inside lever or closing door releases button. Inside lever is always free for immediate egress. Clutch feature disengages outside lever from latch when locked to prevent vandalism.	6
QCL250/251 Entry/Office	F109		Turn/push-button locking; pushing and turning button locks outside lever, requiring use of key until button is manually unlocked. Push-button locking; pushing button locks outside lever until unlocked by key or by depressing inside lever. Clutch feature disengages outside lever from latch when locked to prevent vandalism. Inside lever is always free for immediate egress.	6
QCL254/255 Corridor	F90		Deadlocking latch bolt operates by lever from either side except when outside lever is locked by key in outside lever or by push-button on inside. Key in outside lever locks or unlocks outside lever. Operating inside lever releases push-button. Closing door releases push-button. Inside lever always operates latch bolt.	6
QCL260/261 Classroom	F84		Key required to either lock or unlock outside lever. Inside lever is always unlocked and free for immediate egress. Clutch feature disengages outside lever from latch when locked to prevent vandalism.	6
QCL270/271 Storeroom	F86		Outside lever always locked. Entrance by key only. Inside lever unlocked and free for immediate egress. Clutch feature disengages outside lever from latch when locked to prevent vandalism.	6

How to Order QCL 200 Series: Grade 2 Standard-Duty Cylindrical Locks

Example

If you ordered: QCL271 E626 S4 478S BF6 KA H 625

You would get: Grade 2 Hurricane Compliant Cylindrical Storeroom Lock, Sierra Lever, Satin Chrome x Bright Chrome, 23/4" Deadlatch Square, ANSI 47/8" x 1 1/4" Strike, SFIC "F" Keyway, Keyed Alike.

20	Single Dummy
30	Passage
35	Communicating
40	Privacy
50	Entry/Office
51	Entry/Office SFIC
54	Corridor
55	Corridor SFIC
60	Classroom
61	Classroom SFIC
70	Storeroom
71	Storeroom SFIC

605	Bright Brass
613	Oil Rubbed Bronze
619	Satin Nickel
625	Bright Chrome
626	Satin Chrome

BF	BEST "F" SFIC
KW	Kwikset "KW"
WE	Weiser "E"
SC	Schlage "C"
GA	Yale "GA"
LA	Sargent "LA"
LC	Less Cylinder

Base Part Number									Additional Options	
Series	Function	Design	Finish	Latch	Strike	Keyway	# of Pins	Keying	Hurricane Compliant	2nd Finish
QCL2	71	E	626	S4	478S	BF	6	KA	H	625

E	Sierra
M	Summit
A	Slate

478S	ANSI 47/8" x 1 1/4" Strike
118F	ANSI 1 1/8" x 2 1/4" Strike
FLS	Full Lip Square Corner Strike
FLR	Full Lip 1/4" Radius Corner Strike

613	Oil Rubbed Bronze
625	Bright Chrome

QCL2 Latch Table (New)	
FR4	Fire-Rated Radius 2-3/4
FS4	Fire-Rated Square 2-3/4
NOL	No Latch
NR4	Narrow Radius 2-3/4
NR8	Narrow Radius 2-3/8
NS4	Narrow Square 2-3/4
NS8	Narrow Square 2-3/8
R4	Radius 2-3/4
R8	Radius 2-3/8
S3	Square 3-3/4
S4	Square 2-3/4
S5	Square 5
S8	Square 2-3/8

KD	Keyed Different
KA	Keyed Alike
SK	Special Keying
	-Construction Keyed
	-Construction Master Keyed
	-Maison Keyed
	-Master Keyed
	-Grand Master Keyed
	-Great Grand Master Keyed
ZB	Zero Bitted

STANLEY®

6161 East 75th Street
Indianapolis, IN 46250 USA

Phone 855-365-2407

stanleyhardwarefordoors.com

ST-CH-0005 Rev. 7/14/2018
© 2018 dormakaba Holding. All rights reserved.

© 2018 Stanley Black & Decker, Inc. STANLEY® and the STANLEY® Notched Rectangle logo are registered trademarks of Stanley Black & Decker Inc. or one of its affiliates, and are used under license

dormakaba 

dormakaba.com